
ALTEC

Aluminium loading ramps



Bridging of height differences

ALTEC Singen

An innovative company from an innovative country

Altec is a well established medium sized manufacturing company situated in the south of Baden Württemberg close to Lake Konstanz and the swiss border.

A perfect environment to put ideas in action.

For every loading situation there is a correct solution

Altec covers with its loading ramps nearly all loading situations.

What is important!

Experience, optimal cost/use ratio, and safety. The products are GS tested and conform to the guidelines of our chamber of commerce.

The capacities shown in this brochure are calculated for two axle vehicles with a weight distribution of 40% to 60%. For single axle vehicles the capacity will be reduced to 60% of that shown.

All capacities are calculated with a safety factor of 2,1.

From design to production we offer top quality – **made in Germany!**



Comment to the CE-Labeling: Loading ramps are not covered by CE regulations and should not show CE certification.



ALTEC –
For every situation the
right solution:
CONTENT

Type
ABS

8

Page 8–9



Type
AOG

10

Page 10



Type
AOH

11

Page 11



Type
AOS

12

Page 12–13



Type
AVS 65–93

14

Page 14–17



AVS 80–130

16

Seite 16–17



Type
AVS 150–200

18

Page 18–19



Type **AVS**
for solid tyres

20

Page 20–21



Type
AVS-SP

22

Page 22–23



Folding
AVS / VFR

24

Page 24–25



Type
VFR

26

Page 26–29



Spring
system

30


Page 30–31



Type
**VFR Wheel
ramps**

32

Page 32–33



VFR
Loading
station

34

Page 34



Type **SKR**
hose bridge

35

Page 35



Ramp for
sack trucks

36

Page 36–37



Type
AWR

38

Page 38–39



Curb
ramp

40

Page 40



Type
Trench
Bridge **BSS**

41

Page 41



Type
Maintenance
ramps

42


Page 42



Type
Gangway

43

Page 43



Type
Pit cover

44

Page 44



Type
RAS-W

46

Page 46–47



Type
RRK

48

Page 48–51



Type
LB

52


Page 52–53



Type **RPB/RWB**
Hinged tail-
board ramps

54

Page 54–56

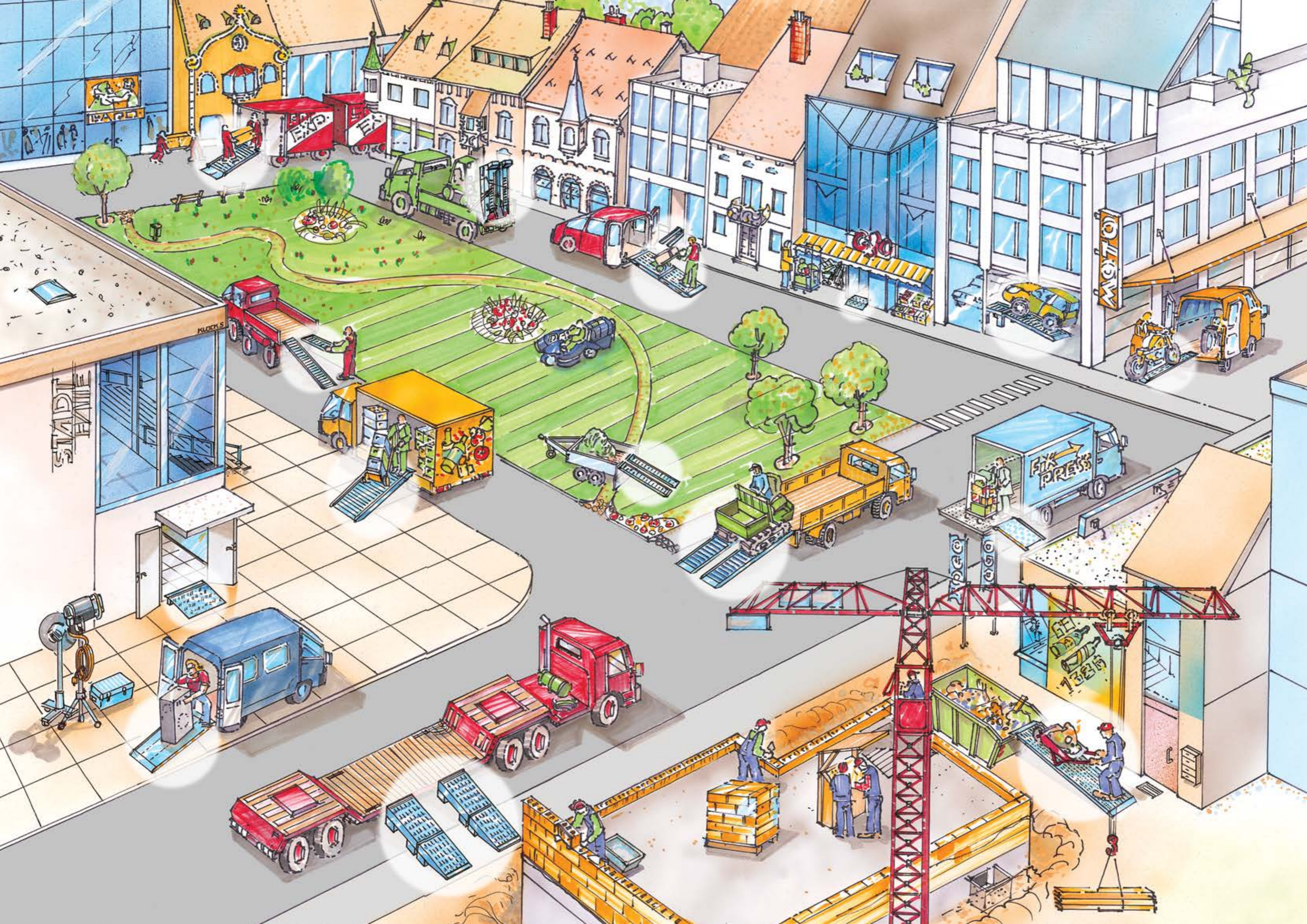


**Facts &
Figures**

57

Page 57–59





Type
ABS

8



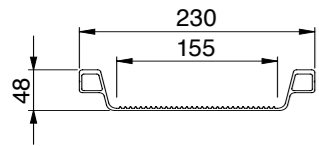
GS tested safety



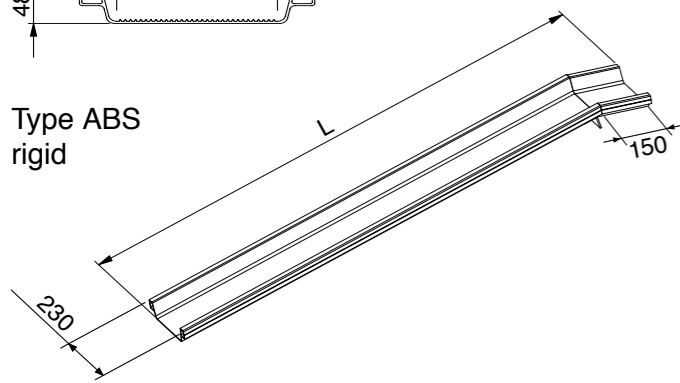
These aluminium ramps are fabricated from an extruded profile which offers an ideal ratio between weight and capacity.

With an internal width of 150mm, these ramps are ideal for loading/unloading items such as motorbikes, pressure cleaners, generator sets, and wheelchairs. The profile shape allows them to be stacked one inside the other for easy storage.

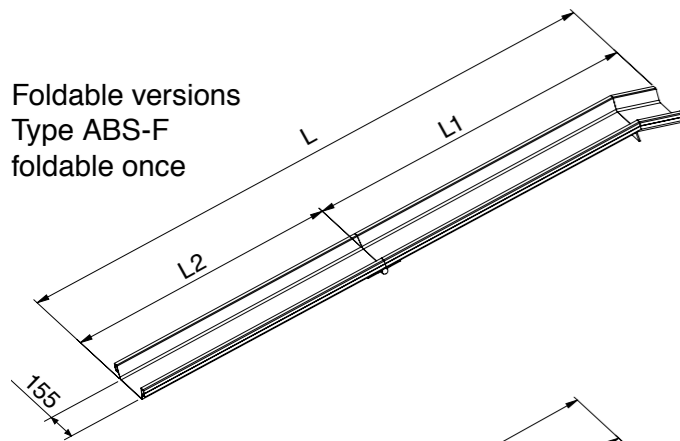
Technical details



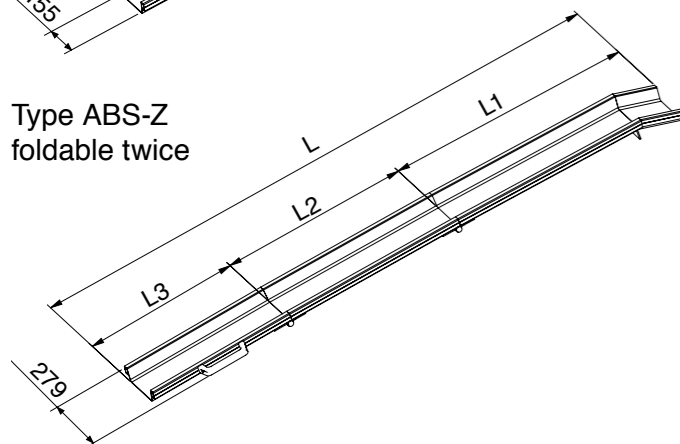
Type ABS
rigid



Foldable versions
Type ABS-F
foldable once



Type ABS-Z
foldable twice



Type ABS



Type ABS-F (foldable once)



Type ABS-Z (foldable twice)

Type	Order code	Length L (mm)	Width B (mm)		Bed height HD (mm)	Capacity* (kgs/pair)	Weight (kgs/ea)
			internal	external			
ABS	082.00.004	1000	155	230	130 - 240	700	4
	082.00.005	1500	155	230	210 - 380	600	6
	082.00.001	2000	155	230	290 - 530	500	7
	082.00.002	2500	155	230	370 - 670	400	9
	082.00.003	3000	155	230	450 - 810	350	11

Type	Order code	Length L (mm)	Width B (mm)		Bed height HD (mm)	Dimension (mm)		Capacity* (kgs/pair)	Weight (kgs/ea)
			internal	external		L 1	L 2		
ABS-F	082.55.005	1485	155	230	210 - 380	835	650	500	6
	082.55.001	1985	155	230	290 - 520	1085	900	400	8
	082.55.002	2485	155	230	370 - 670	1335	1150	350	9
	082.55.003	2985	155	230	450 - 810	1585	1400	300	11

Type	Order code	Length L (mm)	Width B (mm)		Bed height HD (mm)	Dimension (mm)			Capacity* (kgs/pair)	Weight (kgs/ea)
			internal	external		L 1	L 2	L 3		
ABS-Z	082.66.001	2025	155	230	290 - 530	840	650	535	400	8
	082.66.002	2775	155	230	410 - 750	1090	900	785	326	10
	082.66.003	3525	155	230	530 - 960	1340	1150	1035	250	12

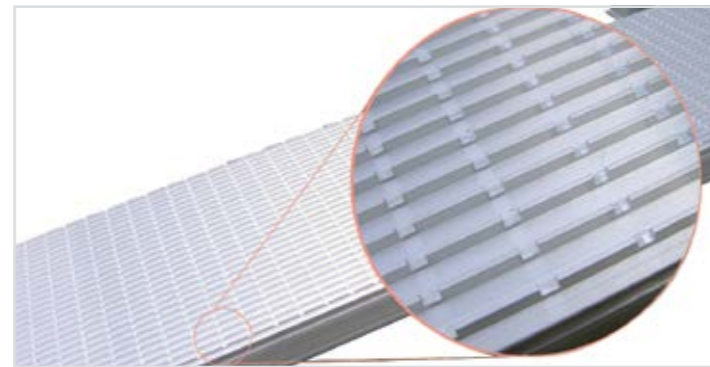
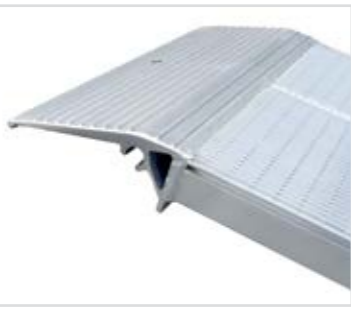
* Capacity at axle distance = 1000 mm

More information about length
see page 58 – 59



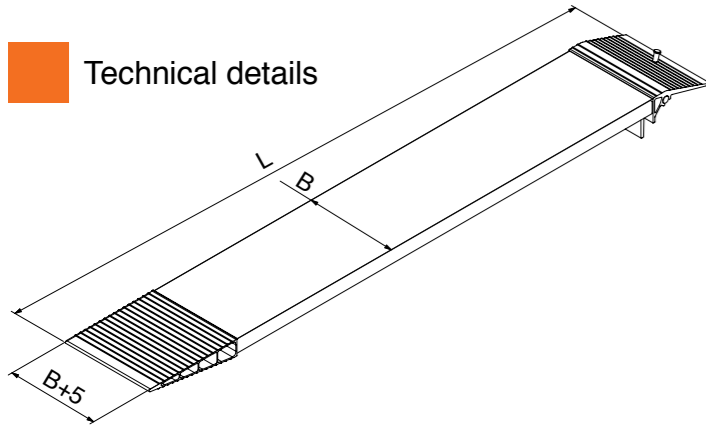
Type
AOG

10



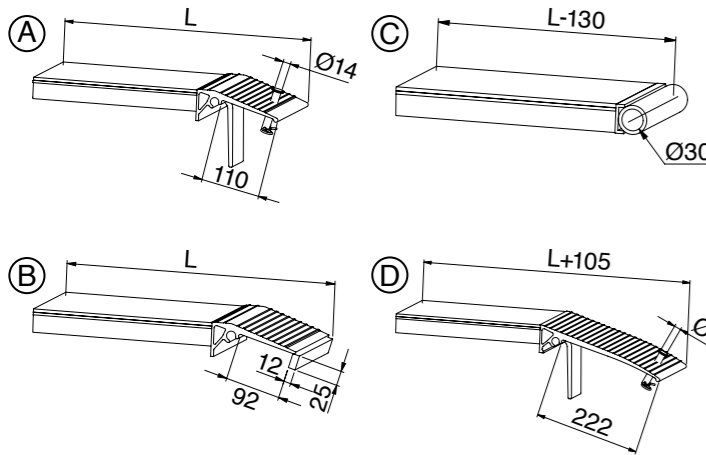
With the Type AOG the user will find a ramp with a low construction height and high grip, which is guaranteed by the milled surface. The cross-sectional surface of the ramp gives excellent weight to capacity ratios.

Technical details



Connection options:

- Ⓐ Lip support (standard)
- Ⓑ Hooked lip*
- Ⓒ Hinge fitting*
- Ⓓ Extended lip support*
- *optional



Type	Order code	Length L (mm)	Width B (mm)	Height (mm)	Bed height HD (mm)	Capacity* (kgs/pair)	Weight (kgs/ea)
AOG 220	040.01.009	1505	220	40	230 - 400	1000	7
	040.01.010	1995	220	40	310 - 540	770	9
	040.01.001	2485	220	40	390 - 690	560	11
	040.01.011	2975	220	40	470 - 830	440	13
AOG 440	040.01.012	1505	440	40	230 - 400	2000	13
	040.01.013	1995	440	40	310 - 540	1540	17
	040.01.004	2485	440	40	390 - 690	1120	21
	040.01.015	2975	440	40	470 - 830	870	25

Curb as option (height 40 mm)
* Capacity at axle distance = 1000 mm

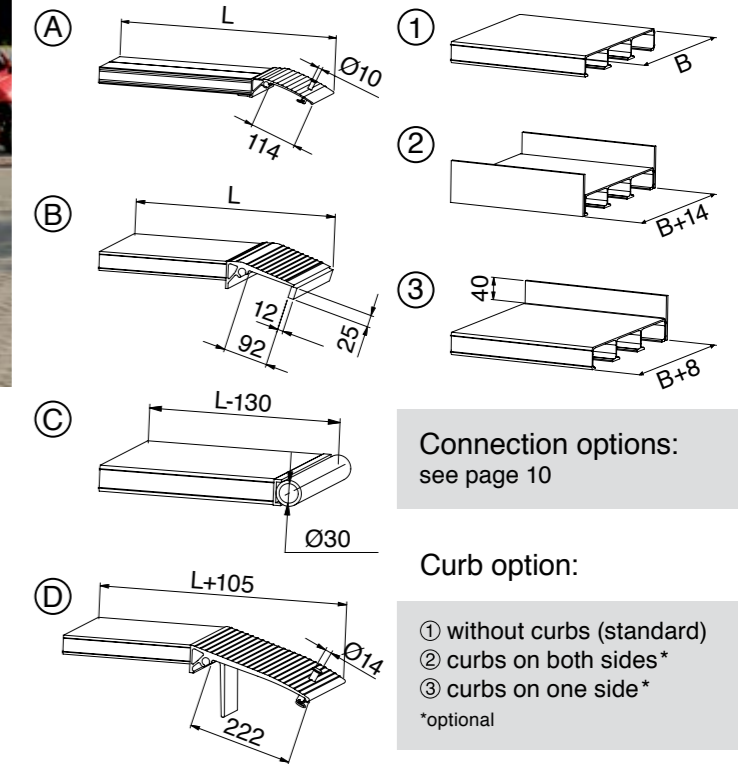
Type
AOH

11



Technical details

Connection option Curb option



Connection options:
see page 10

Curb option:

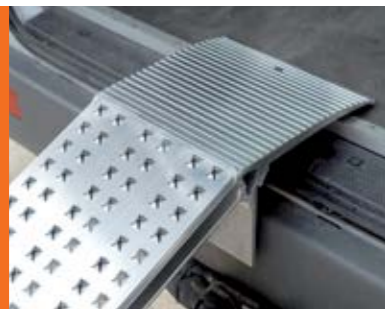
- ① without curbs (standard)
- ② curbs on both sides*
- ③ curbs on one side*
- *optional

Type	Order code	Length L (mm)	Width B (mm)	Height (mm)	Bed height HD (mm)	Capacity* (kgs/pair)	Weight (kgs/ea)
AOH 200	081.33.000	1470	200	40	180 - 410	410	4
	081.33.001	1960	200	40	250 - 550	340	5
	081.33.002	2450	200	40	320 - 700	260	6
AOH 400	081.33.004	1470	400	40	180 - 410	810	9
	081.33.005	1960	400	40	250 - 550	680	11
	081.33.006	2450	400	40	320 - 700	500	13
						(kgs/ea)*	
AOH 600	081.33.007	1470	600	40	180 - 410	565	11
	081.33.008	1960	600	40	250 - 550	475	14
	081.33.009	2450	600	40	320 - 700	385	17
	081.33.062	2940	600	40	390 - 840	300	21
AOH 800	081.33.010	1470	800	40	180 - 410	680	15
	081.33.011	1960	800	40	250 - 550	570	19
	081.33.012	2450	800	40	320 - 700	465	23
	081.33.063	2940	800	40	390 - 840	365	27

Curb as option (height 40 mm)
*Capacity at axle distance = 1000 mm

Type
AOS

12



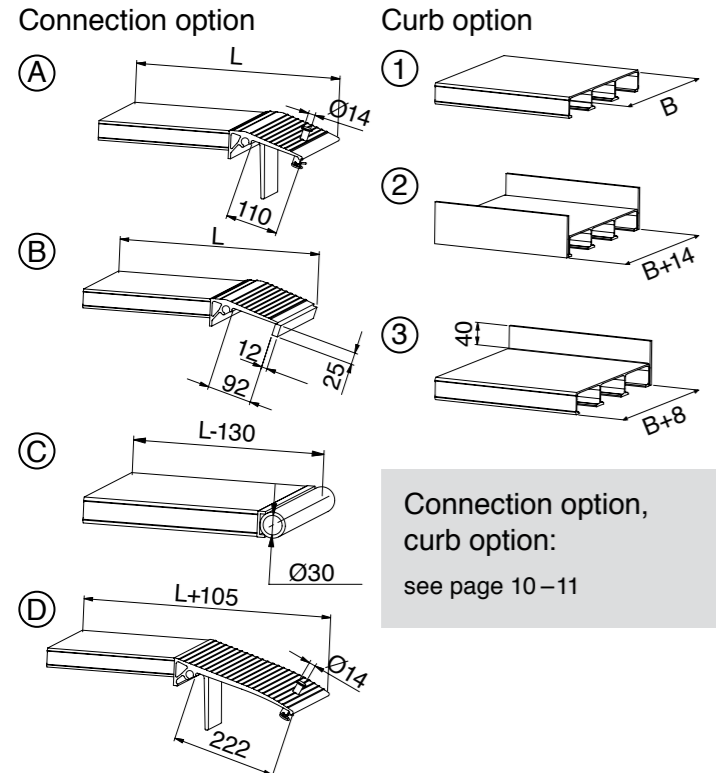
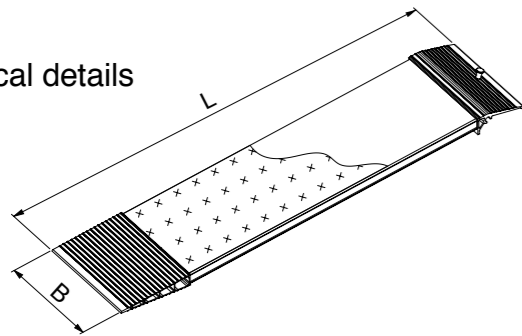
AOS ramps are constructed from a weatherproof and very light aluminium profile, with the slimmest of sections.

The standard AOS design includes integral reinforcement. The bottom profile ensures a smooth transition from the horizontal surface to the ramp running surface.

The special punching of this profile guarantees a high slip resistance (R 12).

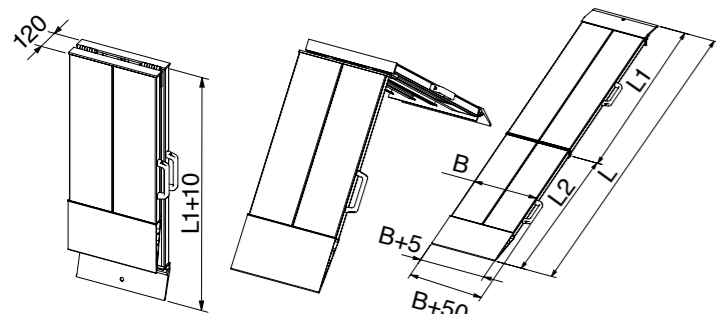
Incl. Safety pin and safety latch.

Technical details



Connection option, curb option:
see page 10 – 11

Foldable version AOS-F



GS tested safety



Type	Order code	Length L (mm)	Width B (mm)	Height (mm)	Bed height HD (mm)	Capacity* (kgs/pair)	Weight (kgs/ea)
AOS 200	081.01.008	1505	200	60	230 - 400	870	6
	081.01.009	1995	200	60	310 - 540	550	8
	081.01.010	2485	200	60	390 - 690	400	9
	081.01.011	2975	200	60	470 - 830	310	11
AOS 300	081.01.020	1505	300	60	230 - 400	1330	9
	081.01.021	1995	300	60	310 - 540	900	11
	081.01.022	2485	300	60	390 - 690	650	13
	081.01.023	2975	300	60	470 - 830	510	15
	081.01.024	3500	300	60	540 - 1050	410	17
	081.01.026	1505	300	70	230 - 400	1920	12
	081.01.027	1995	300	70	310 - 540	1620	16
	081.01.028	2485	300	70	390 - 690	1490	19
	081.01.029	2975	300	70	470 - 830	1350	23
	081.01.030	3500	300	70	560 - 980	1090	27
	081.01.031	3990	300	70	630 - 1120	930	30
	AOS 400	081.01.035	1505	400	60	230 - 400	1670
081.01.036		1995	400	60	310 - 540	1060	14
081.01.037		2485	400	60	390 - 690	770	17
081.01.038		2975	400	60	470 - 830	610	20
081.01.039		3500	400	60	560 - 980	490	23
081.01.041		1505	400	70	230 - 400	2390	15
081.01.042		1995	400	70	310 - 540	2020	19
081.01.043		2485	400	70	390 - 690	1850	23
081.01.044		2975	400	70	470 - 830	1750	28
081.01.045		3500	400	70	560 - 980	1530	33
081.01.046		3990	400	70	630 - 1120	1300	37

Type	Order code	Length L (mm)	Width B (mm)	Height (mm)	Bed height HD (mm)	Capacity* (kgs/pair)	Weight (kgs/ea)
AOS 600	081.01.047	1505	600	60	230 - 400	1230	17
	081.01.048	1995	600	60	310 - 540	870	21
	081.01.049	2485	600	60	390 - 690	635	25
	081.01.050	1995	600	70	310 - 540	1210	29
	081.01.051	2485	600	70	390 - 690	1110	35
	081.01.052	2975	600	70	470 - 830	1050	42
AOS 800	081.01.072	1995	800	60	310 - 540	1060	27
	081.01.073	2485	800	60	390 - 690	775	32
	081.01.074	2975	800	60	470 - 830	605	38
	081.01.053	1505	800	70	230 - 400	1515	27
	081.01.054	1995	800	70	310 - 540	1285	37
081.01.055	2485	800	70	390 - 690	1175	47	
081.01.056	2975	800	70	470 - 830	955	57	

Type	Order code	Length L (mm)	Width B (mm)	L1 (mm)	L2 (mm)	Bed height HD (mm)	Capacity* (kgs/pair)	Weight (kgs/ea)
AOS-F foldable	081.55.009	2045	200	1105	940	320 - 560	510	10
	081.55.010	2535	200	1350	1185	400 - 700	370	11
	081.55.011	3025	200	1595	1430	480 - 840	290	12
	081.55.021	2045	300	1105	940	320 - 560	840	13
	081.55.022	2535	300	1350	1185	400 - 700	620	15
	081.55.023	3025	300	1595	1430	480 - 840	490	18
	081.55.025	2045	400	1105	940	320 - 560	1020	18
	081.55.026	2535	400	1350	1185	400 - 700	750	20
	081.55.027	3025	400	1595	1430	480 - 840	590	23
	081.55.024	2045	800	1105	940	320 - 560	975	33

*Capacity at axle distance = 1000 mm

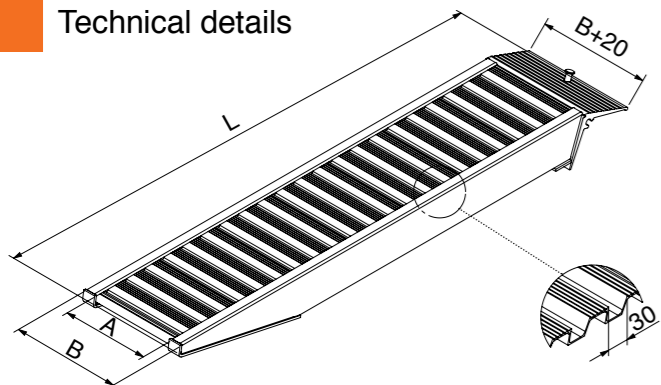
Type
AVS 65-93

14

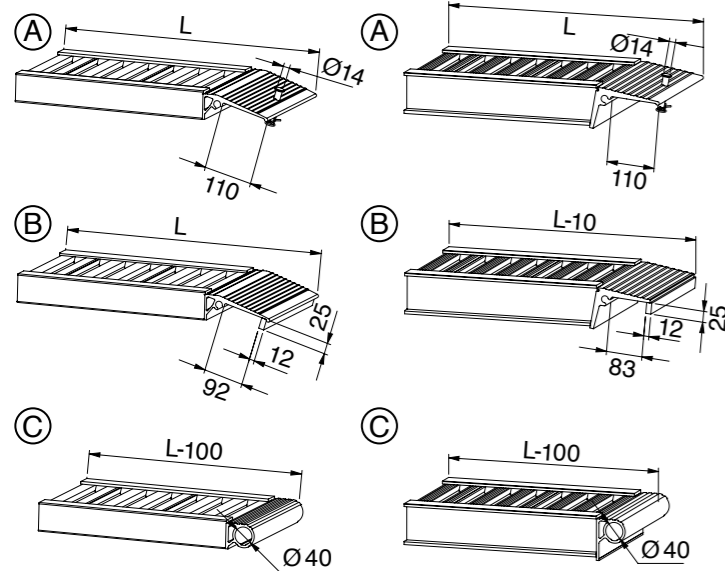


Our AVS 65 and 93 ramps have been developed to allow customers to accommodate ramps in storage compartments within their trailers.

Technical details

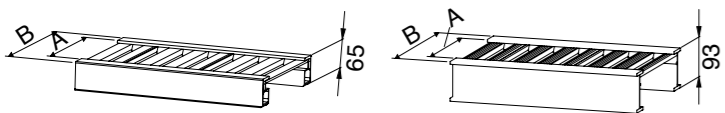


Connection option AVS 65 Connection option AVS 93



Type	Order code	Length L (mm)	Width (mm)		Bed height HD (mm)	Capacity* (kg/pairs)	Weight (kgs/ea)
			A	B			
AVS 65	065.01.000	1620	211	291	350 - 440	3260	12
	065.01.001	1800	211	291	390 - 490	2930	13
	065.01.002	1980	211	291	430 - 540	2670	14
	065.01.003	2160	211	291	470 - 590	2370	15
	065.01.004	2340	211	291	510 - 640	2060	17
	065.01.005	2520	211	291	550 - 700	1820	18
	065.01.006	2700	211	291	590 - 750	1630	19
	065.01.007	2880	211	291	630 - 800	1480	20
AVS 93	093.01.200	1970	323	414	430 - 540	3970	22
	093.01.203	2510	323	414	550 - 690	3500	26
	093.01.206	3050	323	414	670 - 850	2680	31
	093.01.207	3230	323	414	710 - 900	2460	32
	093.01.208	3410	323	414	750 - 950	2280	34
	093.01.209	3590	323	414	790 - 1000	2120	35
	093.01.211	3950	323	414	880 - 1110	1850	38

Curb option



Connection option:

Curb option:

- Ⓐ Lip support (standard)
- Ⓑ Hooked lip*
- Ⓒ Hinge fitting*

- ① Without curbs (AVS 65/93)

*optional

*Capacity at axle distance = 1500 mm

Other dimensions on request.
Foldable versions see page 24-25



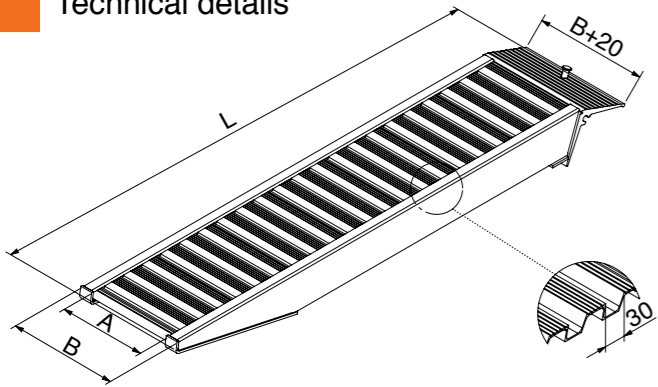
Type
AVS 80-130

16



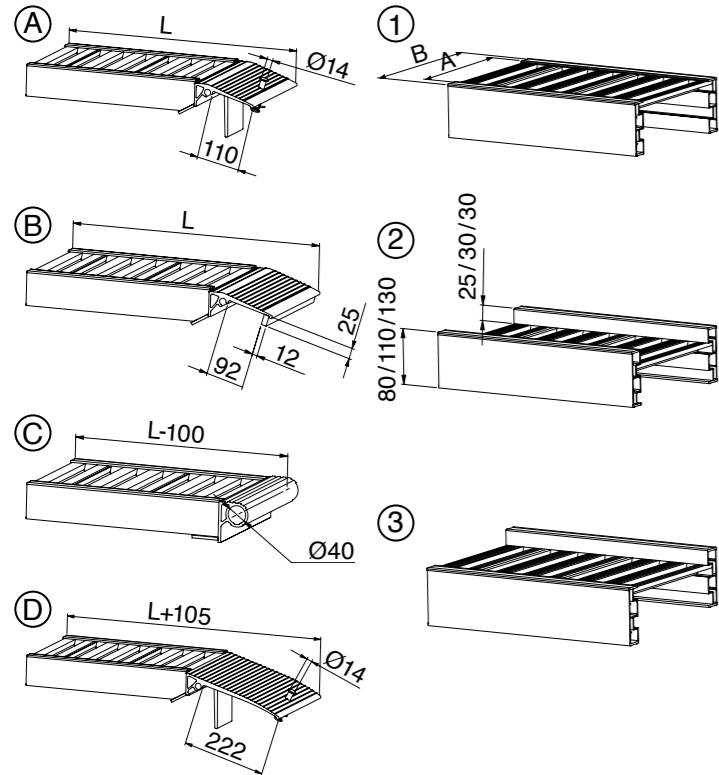
These ramps are ideal for loading small rubber track and pneumatic tyre vehicles. The surface profile is extruded from a high quality aluminium alloy which guarantees longevity even with constant use.

Technical details



Connection option

Curb option



Connection options:

Curb option:

- Ⓐ Lip support (standard)
- Ⓑ Hooked lip at top*
- Ⓒ Hinge fitting*
- Ⓓ Extended lip support* (only AVS 80)

- ① Without curbs
 - ② Curbs on both sides
 - ③ Curbs on one side*
- *optional

Type	Order code		Length L (mm)	Width (mm)		Bed height HD (mm)	Capacity* (kgs/pair)	Weight (kgs/ea)
	without curb	with curb		A	B			
AVS 80	080.01.000	080.00.000	1620	245	305	350 - 440	2630	11
	080.01.002	080.00.002	1980	245	305	430 - 540	2150	13
	080.01.005	080.00.005	2340	245	305	510 - 640	1660	15
	080.01.006	080.00.006	2520	245	305	550 - 700	1470	16
	080.01.009	080.00.009	3060	245	305	680 - 850	1090	19
	080.01.010	080.00.010	3240	245	305	720 - 900	1000	20
	080.01.012	080.00.012	3420	245	305	760 - 950	920	21
AVS 110	080.01.015	080.00.015	3960	245	305	880 - 1110	750	24
	110.01.000	110.00.000	1610	245	305	350 - 430	4050	13
	110.01.002	110.00.002	1970	245	305	430 - 540	3310	15
	110.01.005	110.00.005	2330	245	305	510 - 640	2800	17
	110.01.006	110.00.006	2510	245	305	550 - 690	2600	18
	110.01.009	110.00.009	3050	245	305	670 - 850	1970	22
	110.01.010	110.00.010	3230	245	305	710 - 900	1810	23
	110.01.012	110.00.012	3410	245	305	750 - 950	1670	24
	110.01.015	110.00.015	3950	245	305	880 - 1110	1360	28
	110.01.020	110.00.020	4670	245	305	1040 - 1310	1090	32
	110.01.024	110.00.024	1610	340	400	350 - 430	4050	15
	110.01.026	110.00.026	1970	340	400	430 - 540	3310	18
	110.01.029	110.00.029	2330	340	400	510 - 640	2800	20
	110.01.030	110.00.030	2510	340	400	550 - 690	2600	21
110.01.033	110.00.033	3050	340	400	670 - 850	1970	25	
110.01.034	110.00.034	3230	340	400	710 - 900	1810	27	
110.01.036	110.00.036	3410	340	400	750 - 950	1670	28	
110.01.039	110.00.039	3950	340	400	880 - 1110	1360	32	
AVS 130	130.01.003	130.00.003	2510	326	406	550 - 690	5150	26
	130.01.006	130.00.006	3050	326	406	670 - 850	4390	31
	130.01.009	130.00.009	3590	326	406	790 - 1000	3470	36
	130.01.012	130.00.012	4130	326	406	920 - 1160	2860	41
	130.01.015	130.00.015	4670	326	406	1040 - 1310	2430	46
	130.01.018	130.00.018	5210	326	406	1160 - 1470	2120	51

*Capacity at axle distance = 1500 mm

GS tested safety



Other dimensions on request.
Foldable versions see page 24-25



Type
AVS 150-200

18

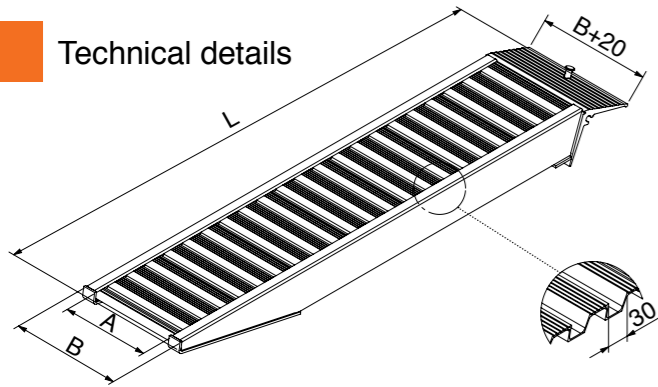


GS tested safety



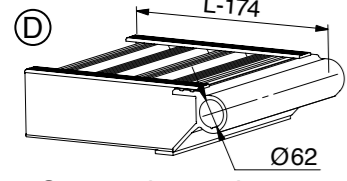
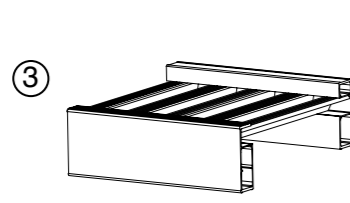
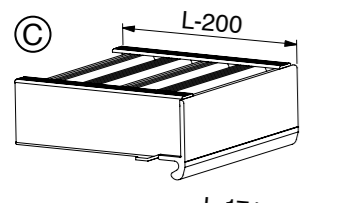
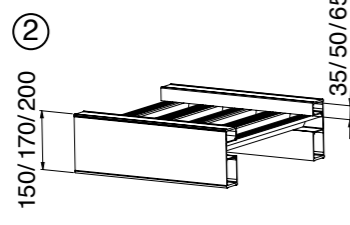
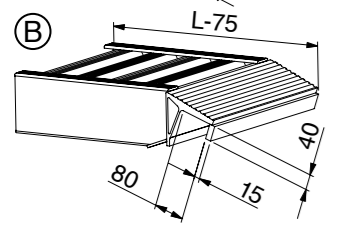
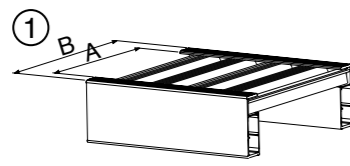
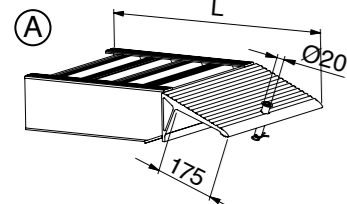
These ramps are made for loading mid range to heavy equipment such as rubber tracks, excavators and tractors with pneumatic tyres. The surface profile is extruded from a high quality aluminium alloy which guarantees longevity even with constant use. The ramps are available with or without curbs or with curbs on one side only. Folding options are also available.

Technical details



Connection option

Curb option



Connection options:

Curb option:

- Ⓐ Lip support (standard)
- Ⓑ Hooked lip at top*
- Ⓒ Bottom hook*
- Ⓓ Hinge fitting*

- ① Without curbs
- ② Curbs on both sides
- ③ Curbs on one side*

*optional



Safety pin



Underside hook bar

Type	Order code		Length L (mm)	Width (mm)		Bed height HD (mm)	Capacity* (kgs/pair)		Weight (kgs/ea)	
	without curbs	with curb		A	B		without curbs	with curb	without curbs	with curb
AVS 150	150.01.002	150.00.002	2685	368	460	540 - 710	7710	7230	39	38
	150.01.004	150.00.004	3085	368	460	630 - 830	6710	6290	44	43
	150.01.007	150.00.007	3685	368	460	770 - 1000	5300	5150	51	50
	150.01.009	150.00.009	4085	368	460	860 - 1120	4530	4400	56	55
	150.01.011	150.00.011	4485	368	460	950 - 1230	3950	3840	61	60
AVS 170	150.01.014	150.00.014	5085	368	460	1080 - 1400	3310	3220	69	67
	170.01.003	170.00.003	2885	400	520	590 - 770	7710	7870	46	44
	170.01.005	170.00.005	3285	400	520	680 - 890	6770	6820	52	50
	170.01.008	170.00.008	3885	400	520	810 - 1060	5730	5230	60	58
	170.01.010	170.00.010	4285	400	520	900 - 1170	5190	4520	66	63
AVS 200	170.01.012	170.00.012	4685	400	520	990 - 1290	4750	3970	72	68
	170.01.015	170.00.015	5285	400	520	1130 - 1460	4210	3360	80	76
	170.01.016	170.00.016	5485	400	520	1170 - 1520	4060	3200	83	79
	200.01.003	200.00.003	2885	448	582	590 - 770	11330	11330	59	59
	200.01.006	200.00.006	3485	448	582	720 - 940	11330	11330	70	70
AVS 200	200.01.010	200.00.010	4285	448	582	900 - 1170	8370	8370	84	84
	200.01.011	200.00.011	4485	448	582	950 - 1230	7840	7840	88	88
	200.01.014	200.00.014	5085	448	582	1080 - 1400	6570	6570	99	99
	200.01.015	200.00.015	5285	448	582	1130 - 1460	6240	6240	103	103

*Capacity at axle distance = 2000 mm

Securing of ramps

In addition to the standard steel pin an underside hook/ bar is welded under the ramp to allow the attachment of a chain or stop.

Foldable version see page 24 – 25



Spring system for ramps see page 30 – 31

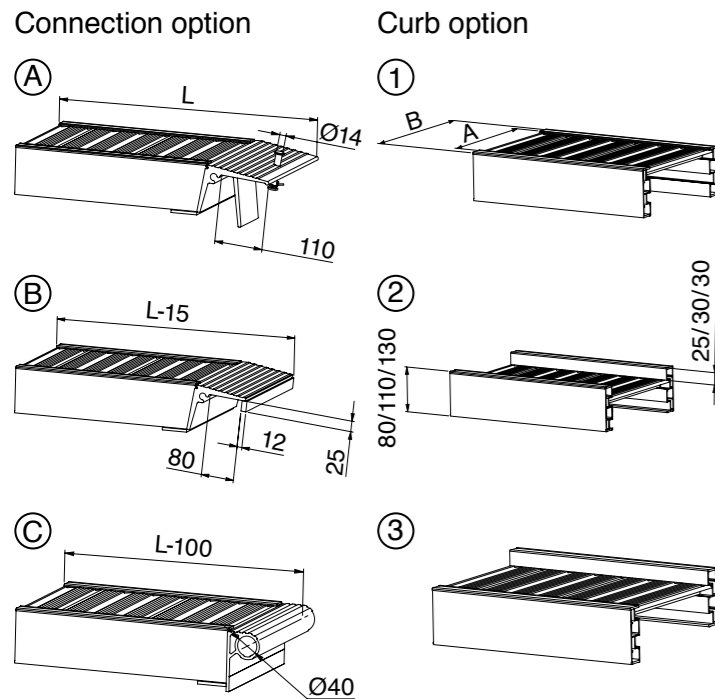
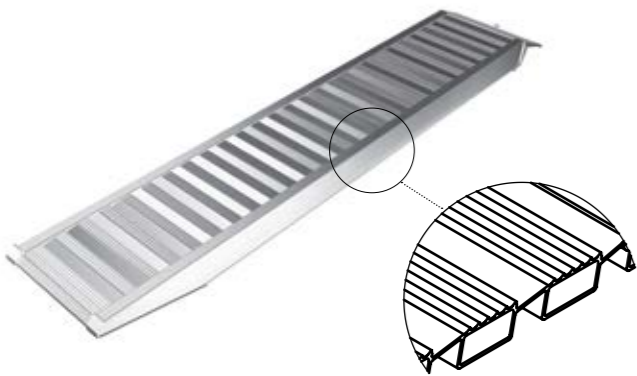
Type AVS for solid tyres

20



These ramps are designed for heavy equipment and vehicles with solid rubber tyres. The surface consists of a closed, slip resistant aluminium profile.

Technical details AVS 80-130



Connection options: Curb option:

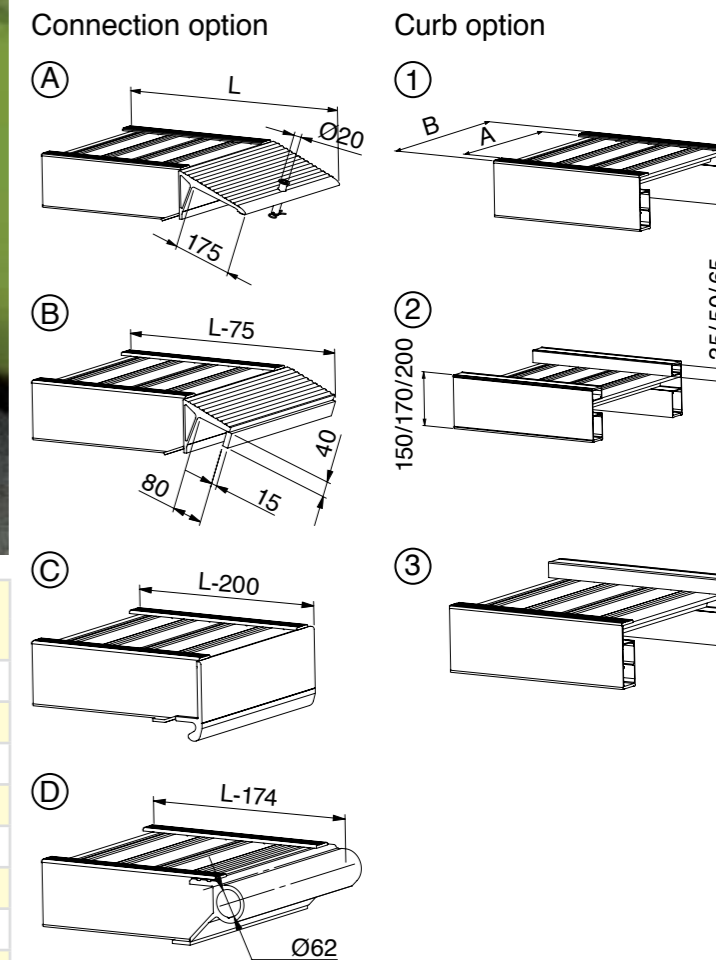
- Ⓐ Lip support (standard)
- Ⓑ Hooked lip*
- Ⓒ Hinge fitting*
- *optional
- ① Without curbs
- ② Curbs on both sides
- ③ Curbs on one side*



Type	Order code		Length L (mm)	Width (mm)		Bed height HD (mm)	Capacity* (kgs/pair)		Weight (kgs/ea)	
	without curbs	with curb		A	B		without curbs	with curb	without curbs	with curb
AVS 80	080.11.005	080.10.005	2340	245	305	510 - 640	1660	1660	16	16
	080.11.009	080.10.009	3060	245	305	680 - 850	1090	1090	20	20
AVS 110	110.11.030	110.10.030	2510	340	400	550 - 690	2600	2600	23	23
	110.11.033	110.10.033	3050	340	400	670 - 850	1970	1970	28	28
AVS 130	130.11.006	130.10.006	3050	326	406	670 - 850	4400	4400	33	33
	130.11.009	130.10.009	3590	326	406	790 - 1000	3470	3470	39	39
AVS 150	150.11.002	150.10.002	2685	408	500	540 - 710	7710	7230	45	44
	150.11.004	150.10.004	3085	408	500	630 - 830	6710	6290	51	50
	150.11.007	150.10.007	3685	408	500	770 - 1000	5300	5150	60	59
AVS 170	150.11.009	150.10.009	4085	408	500	860 - 1120	4530	4400	66	65
	170.11.003	170.10.003	2885	400	520	590 - 770	8290	7870	51	47
	170.11.005	170.10.005	3285	400	520	680 - 890	7210	6820	57	52
AVS 200	170.11.008	170.10.008	3885	400	520	810 - 1060	6040	5230	67	61
	170.11.010	170.10.010	4285	400	520	900 - 1170	5450	4520	74	67
	170.11.012	170.10.012	4685	400	520	990 - 1290	4960	3970	80	72
AVS 200	200.11.003	200.10.003	2885	448	582	590 - 770	11890	11890	64	64
	200.11.006	200.10.006	3485	448	582	720 - 940	11390	11390	76	76
	200.11.010	200.10.010	4285	448	582	900 - 1170	8370	8370	92	92
	200.11.011	200.10.011	4485	448	582	950 - 1230	7840	7840	96	96

*Capacity AVS 80 – 130 at axle distance = 1500 mm
*Capacity AVS 150 – 200 at axle distance = 2000 mm

Technical details AVS 150-200



Connection options: Curb option:

- Ⓐ Lip support (standard)
- Ⓑ Hooked lip at top*
- Ⓒ Bottom hook*
- Ⓓ Hinge fitting*
- *optional
- ① Without curbs
- ② Curbs on both sides
- ③ Curbs on one side*

Available as option

- Spring lifting assistance see page 30 – 31 (starting at AVS 150).

Multi-part ramp

- For more convenient handling with long ramps, they are available in two or three parts with support foot (see page 24 – 25).

Type
AVS-SP

22



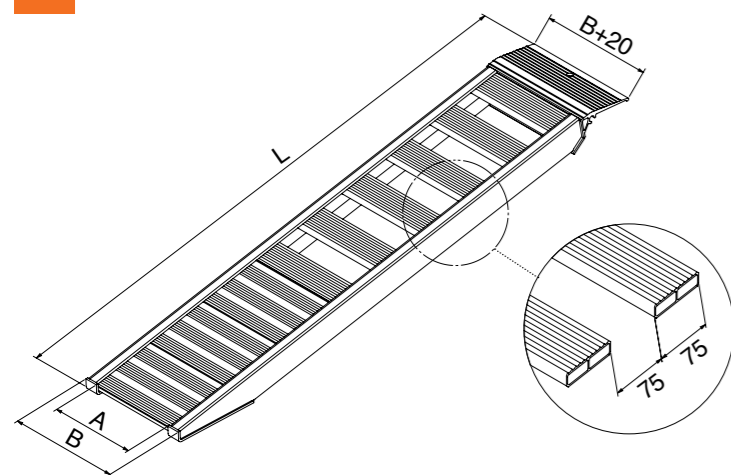
With an open surface of single rungs this ramp offers a further option to our standard AVS.

The significant advantages are:

- Dirt and stones can fall through the gaps.
- Wind permeability through permanently installed ramps reduces drag and increases fuel efficiency.
- Cleaning the surface is not necessary

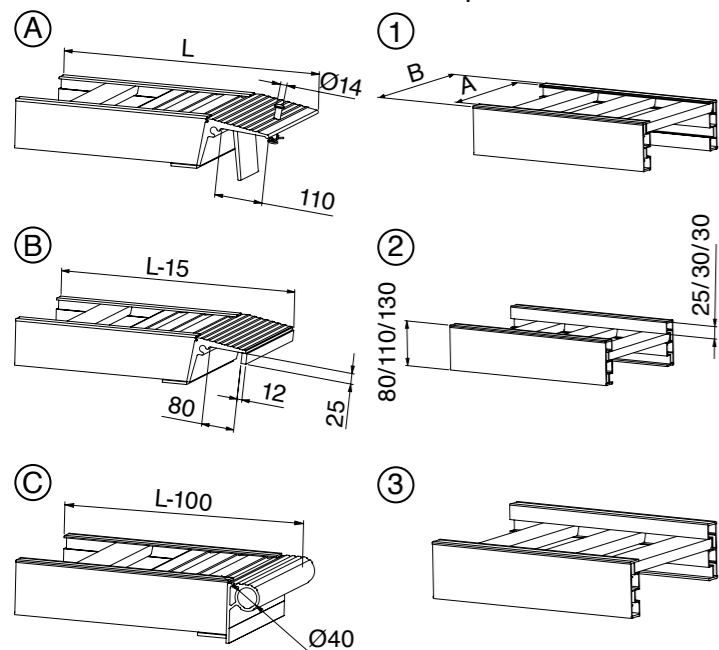


Technical details AVS 80-130



Connection option

Curb option



Connection options:

Curb option:

- Ⓐ Lip support (standard)
- Ⓑ Hooked lip*
- Ⓒ Hinge fitting*
- *optional

- ① Without curbs
- ② Curbs on both sides
- ③ Curbs on one side*

Type	Order code		Length L (mm)	Width (mm)		Bed height HD (mm)	Capacity* (kgs/pair)		Weight (kgs/ea)	
	without curbs	with curb		A	B		without curbs	with curb	without curbs	with curb
AVS 80	080.71.000	080.70.000	1620	245	305	350 - 440	2630	2630	10	10
	080.71.002	080.70.002	1980	245	305	430 - 540	2150	2150	12	12
	080.71.005	080.70.005	2340	245	305	510 - 640	1660	1660	14	14
	080.71.006	080.70.006	2520	245	305	550 - 700	1470	1470	15	15
	080.71.009	080.70.009	3060	245	305	680 - 850	1090	1090	18	18
	080.71.010	080.70.010	3240	245	305	720 - 900	1000	1000	19	19
	080.71.012	080.70.012	3420	245	305	760 - 950	920	920	20	20
	080.71.015	080.70.015	3960	245	305	880 - 1110	750	750	23	23
AVS 110	110.71.024	110.70.024	1610	340	400	350 - 430	3300	3300	16	16
	110.71.026	110.70.026	1970	340	400	430 - 540	3300	3300	19	19
	110.71.029	110.70.029	2330	340	400	510 - 640	2800	2800	21	21
	110.71.030	110.70.030	2510	340	400	550 - 690	2600	2600	23	23
	110.71.033	110.70.033	3050	340	400	670 - 850	1970	1970	26	26
	110.71.034	110.70.034	3230	340	400	710 - 900	1810	1810	28	28
	110.71.036	110.70.036	3410	340	400	750 - 950	1670	1670	29	29
	110.71.039	110.70.039	3950	340	400	880 - 1110	1360	1360	33	33
AVS 130	130.71.003	130.70.003	2510	325	405	550 - 690	3390	3390	28	28
	130.71.006	130.70.006	3050	325	405	670 - 850	3390	3390	33	33
	130.71.009	130.70.009	3590	325	405	790 - 1000	3390	3390	37	37
	130.71.012	130.70.012	4130	325	405	920 - 1160	2870	2870	42	42
	130.71.015	130.70.015	4670	325	405	1040 - 1310	2440	2440	47	47
	130.71.018	130.70.018	5210	325	405	1160 - 1470	2120	2120	52	52
AVS 150	150.71.002	150.70.002	2685	360	460	540 - 710	7710	7230	43	42
	150.71.004	150.70.004	3085	360	460	630 - 830	6710	6290	48	47
	150.71.007	150.70.007	3685	360	460	770 - 1000	5300	5150	56	55
	150.71.009	150.70.009	4085	360	460	860 - 1120	4530	4400	61	59
	150.71.011	150.70.011	4485	360	460	950 - 1230	3950	3840	66	64
	150.71.014	150.70.014	5085	360	460	1080 - 1400	3310	3220	73	72
AVS 170	170.71.003	170.70.003	2885	400	500	590 - 770	7710	7820	52	49
	170.71.005	170.70.005	3285	400	500	680 - 890	6770	6840	58	54
	170.71.008	170.70.008	3885	400	500	810 - 1060	5720	5250	66	63
	170.71.010	170.70.010	4285	400	500	900 - 1170	5190	4530	72	68
	170.71.012	170.70.012	4685	400	500	990 - 1290	4740	3990	78	73
	170.71.015	170.70.015	5285	400	500	1130 - 1460	4200	3380	87	82
	170.71.016	170.70.016	5485	400	500	1170 - 1520	4050	3210	90	84
	170.71.017	170.70.017	5685	400	500	1210 - 1570	3900	3060	93	87
AVS 200	200.71.003	200.70.003	2885	450	580	590 - 770	6950	6950	63	63
	200.71.006	200.70.006	3485	450	580	720 - 940	6950	6950	74	74
	200.71.010	200.70.010	4285	450	580	900 - 1170	6950	6950	88	88
	200.71.011	200.70.011	4485	450	580	950 - 1230	6950	6950	92	92
	200.71.014	200.70.014	5085	450	580	1080 - 1400	6570	6570	102	102
	200.71.015	200.70.015	5285	450	580	1130 - 1460	6240	6240	106	106

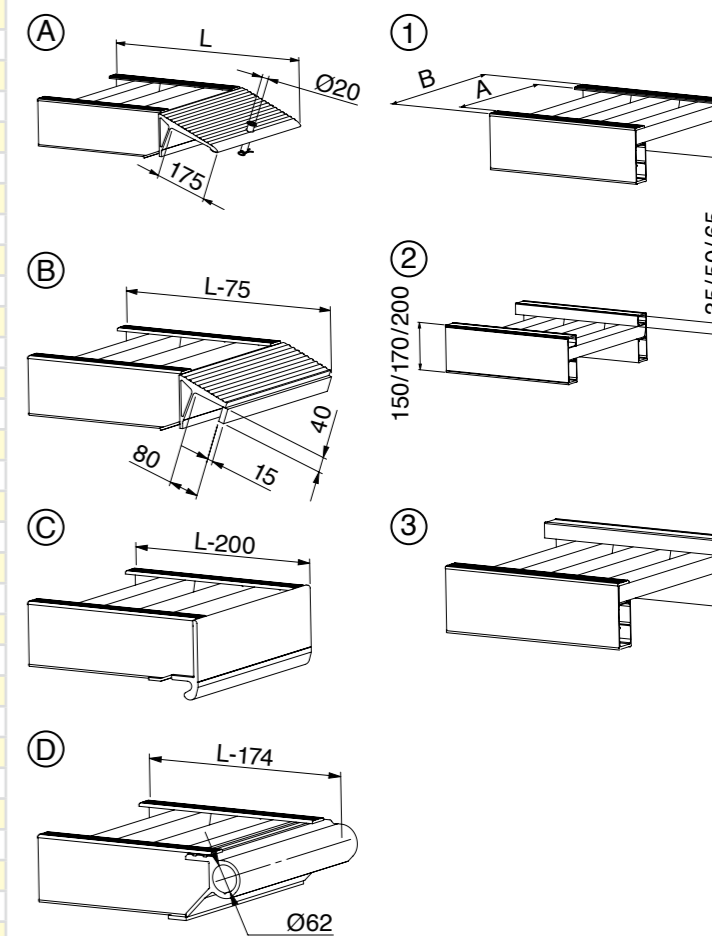
*Capacity AVS 80-130 at axle distance = 1500 mm

*Capacity AVS 150-200 at axle distance = 2000 mm

Technical details AVS 150-200

Connection option

Curb option



Connection options:

Curb option:

- Ⓐ Lip support (standard)
- Ⓑ Hooked lip at top*
- Ⓒ Bottom hook*
- Ⓓ Hinge fitting*
- *optional

- ① Without curbs
- ② Curbs on both sides
- ③ Curbs on one side*

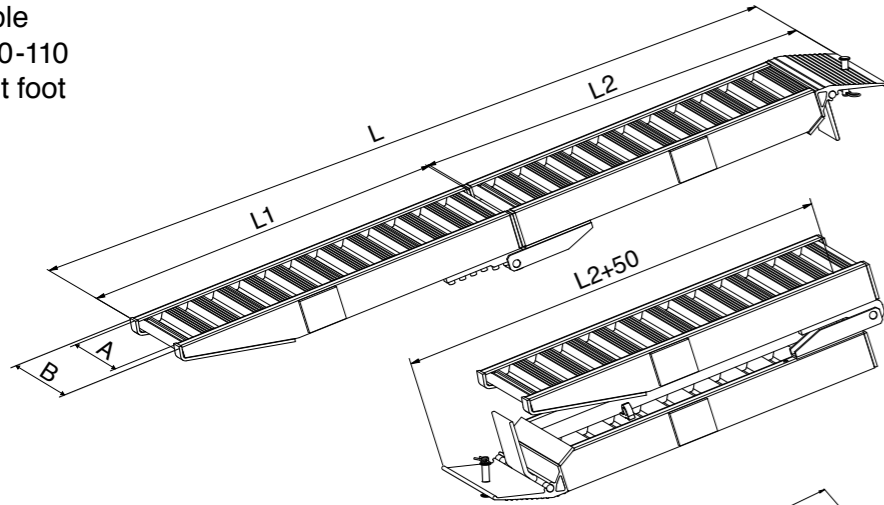


Bespoke AVS and VFR combination and folding ramps are available on request.

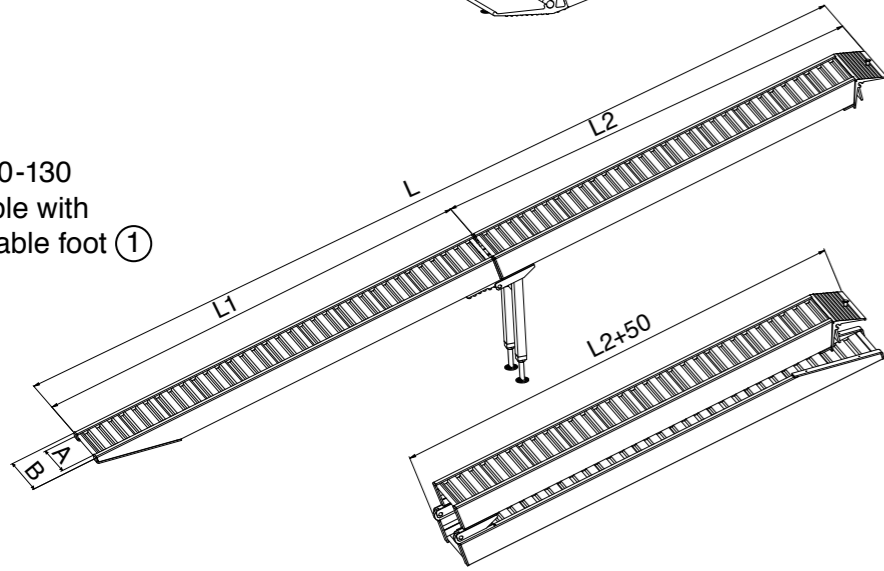


Technical details AVS 80-200

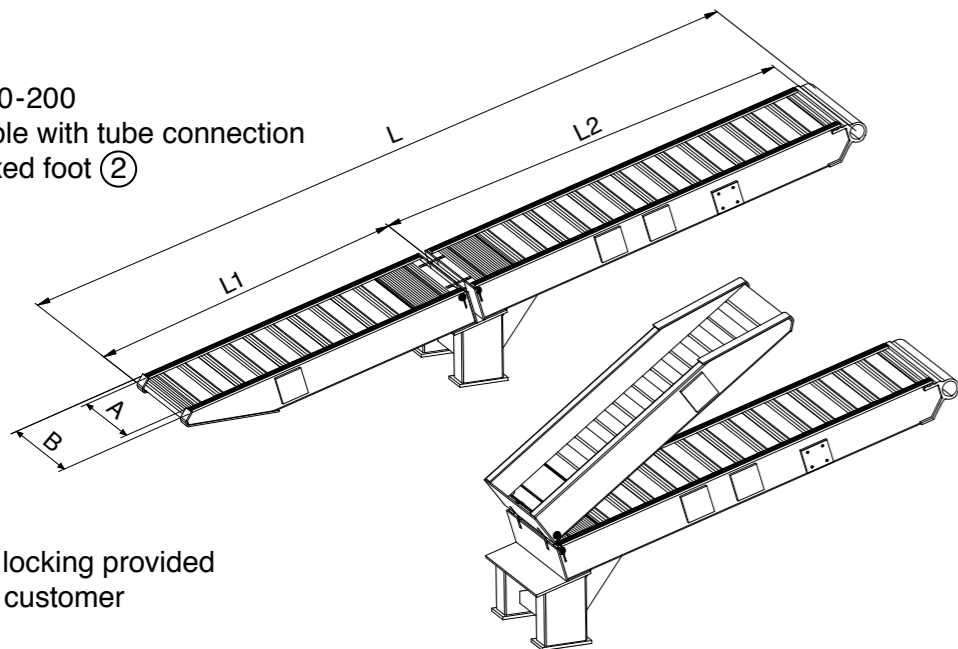
Foldable
AVS 80-110
without foot



AVS 80-130
Foldable with
adjustable foot ①



AVS 80-200
Foldable with tube connection
and fixed foot ②

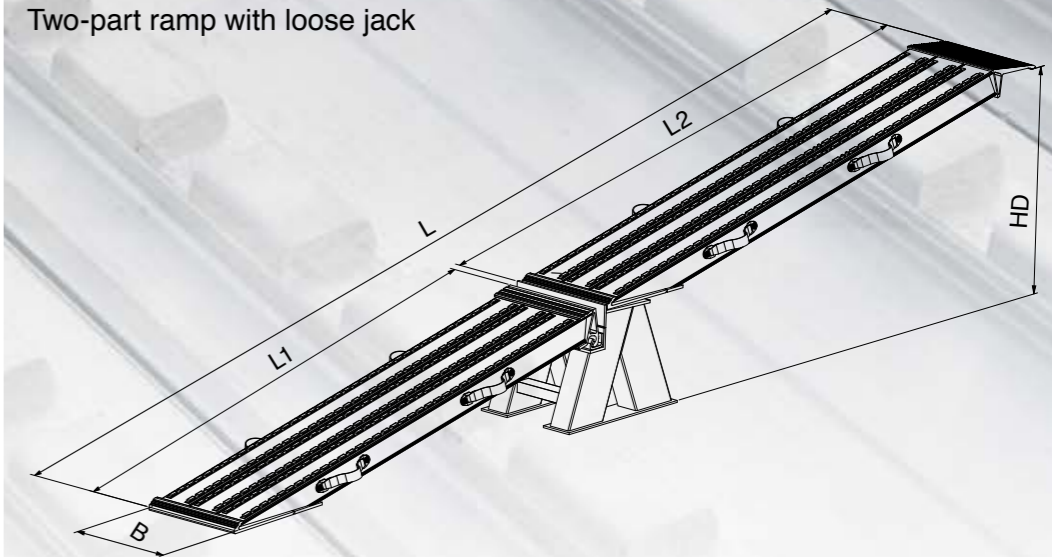


Ramp locking provided
by the customer

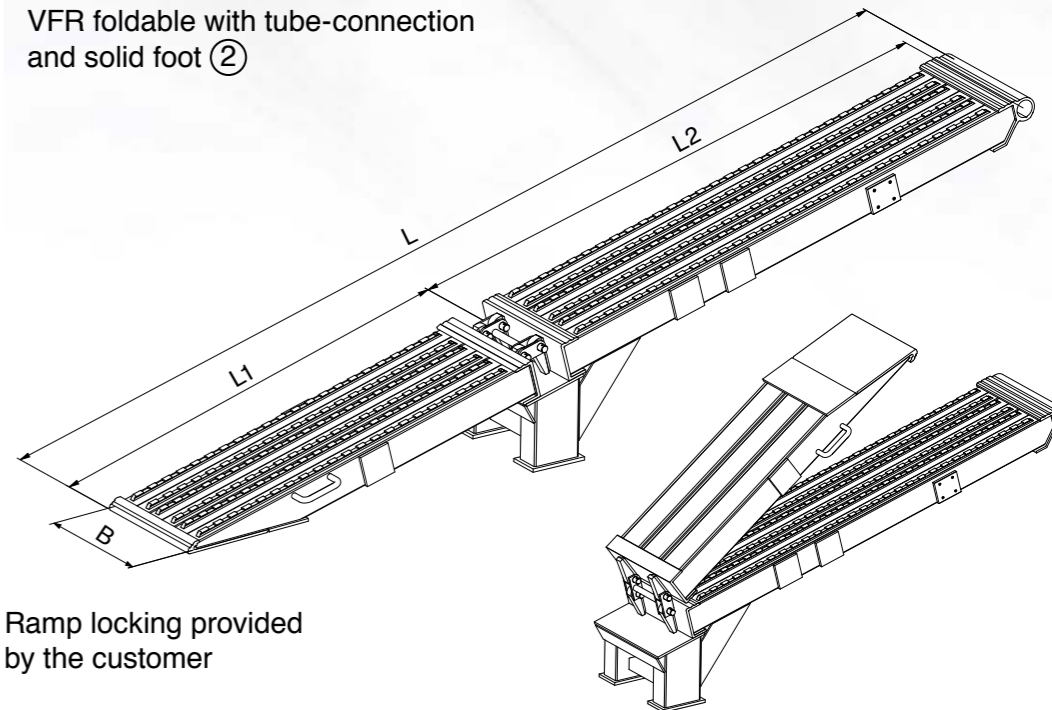
Spring system for ramps see page 30–31

Technical details range VFR

Two-part ramp with loose jack



VFR foldable with tube-connection
and solid foot ②



Ramp locking provided
by the customer

Type
VFR

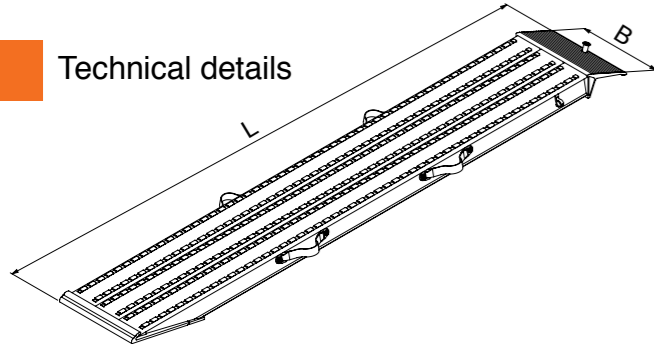
26



Other dimensions on request.

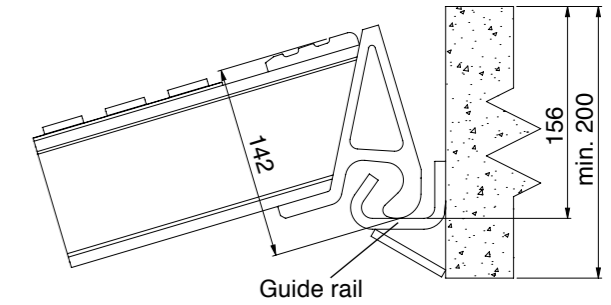
The robust construction of our VFR aluminium ramps gives a very high weight to strength ratio. These ramps are particularly suitable for heavy vehicles and machines fitted with pneumatic tyres, solid wheels and rubber or steel tracks.

Technical details

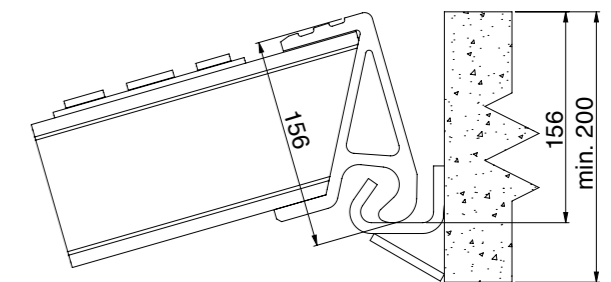


Technical details

Situation of connection, hooked version VFR 105

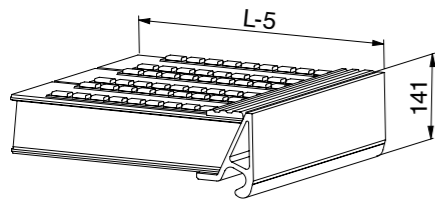


Situation of connection VFR 120

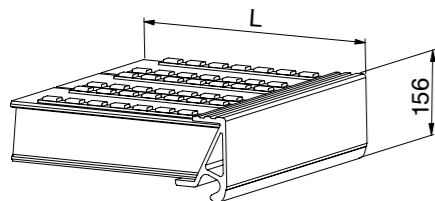


Connection options

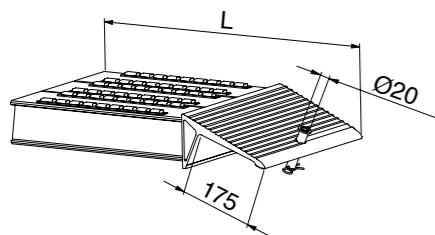
Drawing (A) – Hooked lip (standard) VFR 105



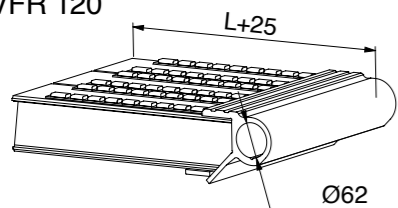
Drawing (A) – Hooked lip (standard) VFR 120



Drawing (B) – Lip support (standard) VFR 105 / VFR 120

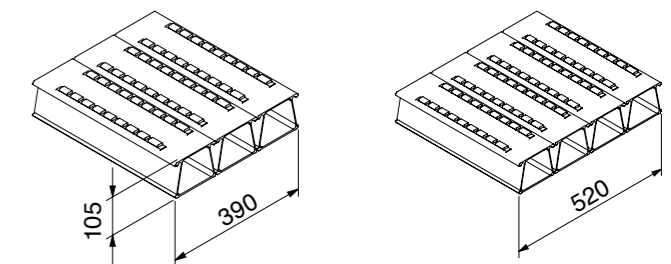


Hinge fitting (optional) VFR 105 / VFR 120

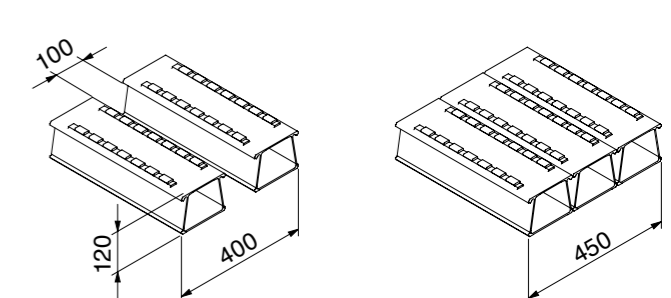


Type	Order code		Length L (mm)	Width B (mm)	Bed height HD (mm)	Capacity* (kgs/pair)		Weight (kgs/ea)	
	Drawing(A)	Drawing(B)				Drawing(A)	Drawing(B)	Drawing(A)	Drawing(B)
VFR 105	105.00.303	105.01.303	2.005	390	460 - 610	15130	11770	35	33
	105.00.305	105.01.305	2.405	390	540 - 720	12610	11010	41	39
	105.00.307	105.01.307	2.805	390	620 - 840	10810	9890	46	45
	105.00.309	105.01.309	3.220	390	710 - 960	9420	9250	52	50
	105.00.311	105.01.311	3.470	390	760 - 1030	8740	8660	56	53
	105.00.314	105.01.314	4.005	390	880 - 1180	7090	7110	63	62
	105.00.403	105.01.403	2.005	520	460 - 610	20170	15690	46	44
	105.00.405	105.01.405	2.405	520	540 - 720	16820	14680	54	51
	105.00.407	105.01.407	2.805	520	620 - 840	14420	13180	61	59
	105.00.409	105.01.409	3.220	520	710 - 960	12560	12340	69	67
VFR 120	105.00.411	105.01.411	3.470	520	760 - 1030	11650	11550	74	72
	105.00.414	105.01.414	4.005	520	880 - 1180	9460	9480	84	82
	120.00.000	120.01.000	3000	400	710 - 890	10230	9780	48	47
	120.00.001	120.01.001	2000	450	480 - 620	23020	13580	46	44
	120.00.002	120.01.002	2400	450	570 - 730	19190	12550	54	52
	120.00.003	120.01.003	3000	450	710 - 900	15350	11010	65	63
Accessory	120.00.004	120.01.004	3575	450	840 - 1070	12820	10280	77	73
	120.00.005	120.01.005	4000	450	930 - 1190	10790	9800	85	83
	500.00.048	VFR guide rail, black, length 2600 mm						23	
500.00.047	VFR guide rail, galvanised length 2600 mm						23		
500.00.049	VFR guide rail, black length 950 mm						8		

Profile VFR 105



Profile VFR 120



*Capacity at axle distance = 2000 mm

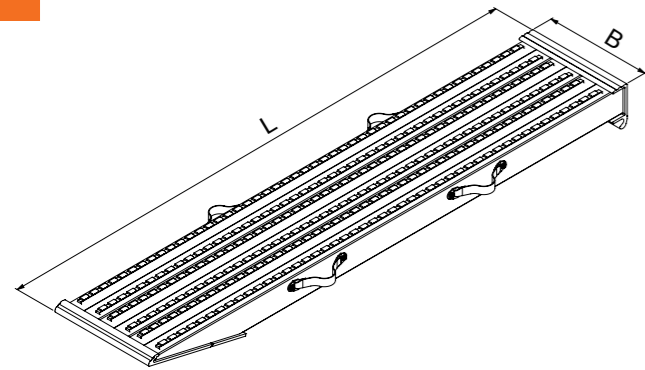
Type
VFR 134-185

28

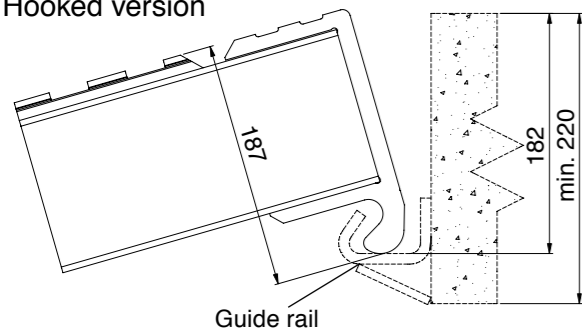


These ramps have been designed for loading heavy plant.
As well as a comprehensive standard range of sizes the construction allows us to produce special sizes to your requirements.

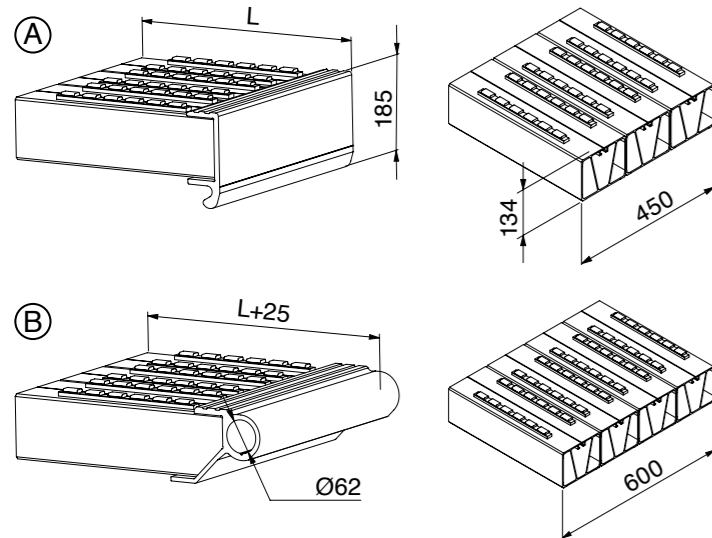
Technical details VFR 134



Hooked version



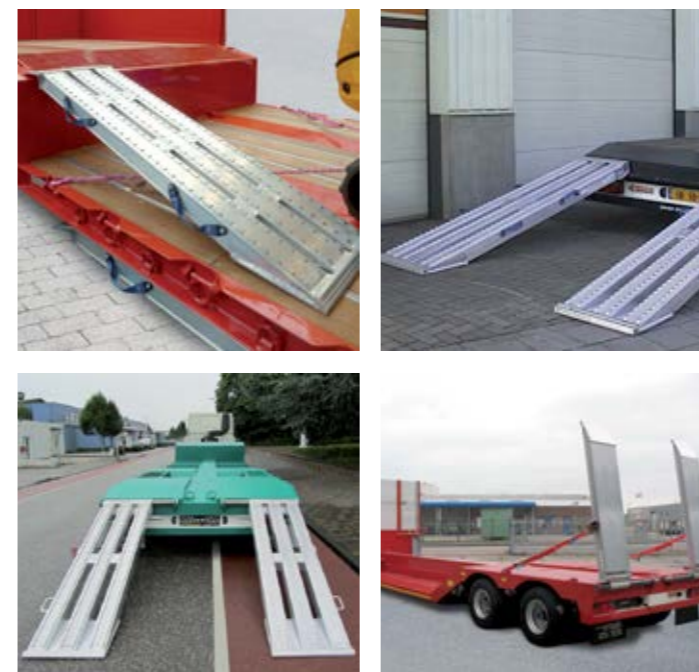
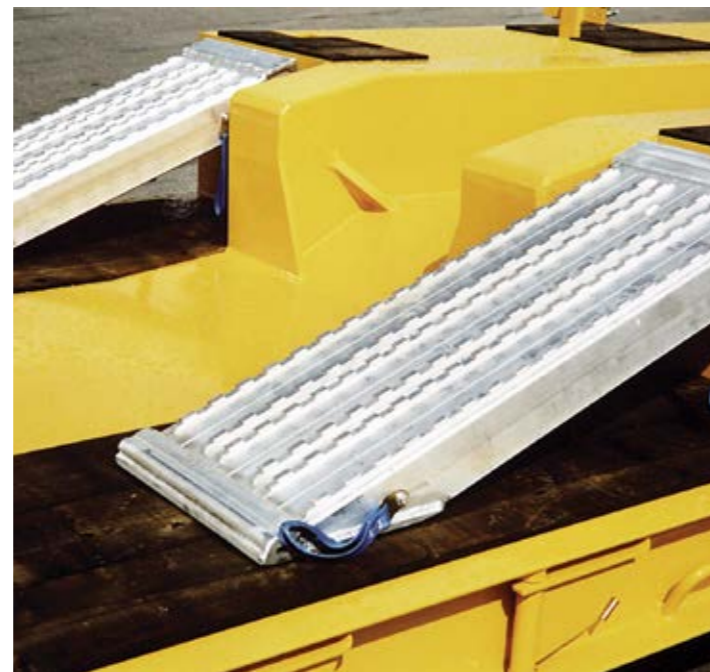
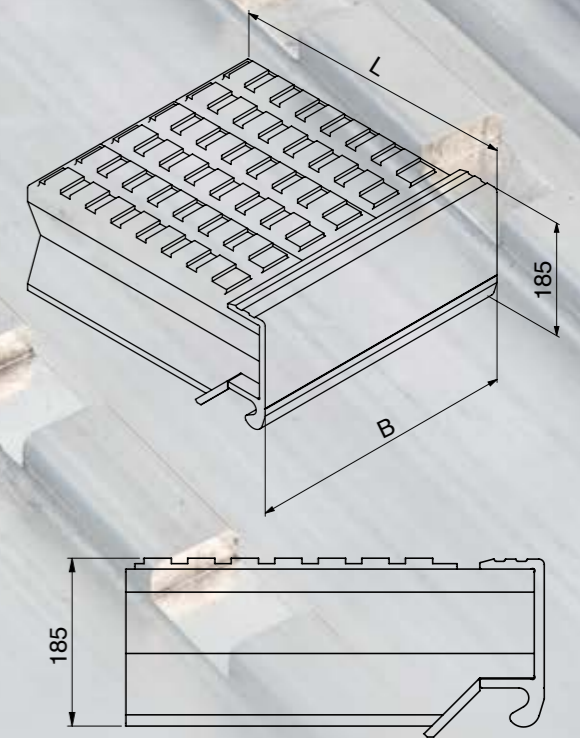
Connection options and profile



Connection options:

- Ⓐ Hooked lip (drawing A)
- Ⓑ Hinge fitting (drawing B)

Technical details VFR 185



Type	Order code		Length L (mm)	Width B (mm)	Bed height HD 30% (mm)	Capacity* (kgs/pair)		Weight (kg/Stck.)	
	Drawing Ⓐ	Drawing Ⓑ				Drawing A	Drawing B	Drawing A	Drawing B
VFR 134	134.00.000	134.04.000	2400	450	590 - 720	24030	23780	67	68
	134.00.001	134.04.001	2800	450	690 - 840	20590	20410	77	78
	134.00.007	134.04.007	3000	450	730 - 890	19220	19060	82	83
	134.00.002	134.04.002	2400	600	590 - 720	32040	31710	89	90
	134.00.003	134.04.003	2800	600	690 - 840	27460	27220	102	104
VFR 185	134.00.004	134.04.004	3000	600	730 - 890	25630	25420	109	110
	185.00.100		2000	420	500 - 610	43500		106	
	185.00.101		2400	420	590 - 720	39680		126	
	185.00.102		2000	560	460 - 570	58010		142	
		185.00.103	2400	560	550 - 680	52900		168	
Zubehör	500.00.048	VFR guide rail, black,			length 2600 mm			23	
	500.00.047	VFR guide rail, galvanised,			length 2600 mm			23	
	500.00.049	VFR guide rail, black,			length 950 mm			8	

*Capacity at axle distance = 2000 mm



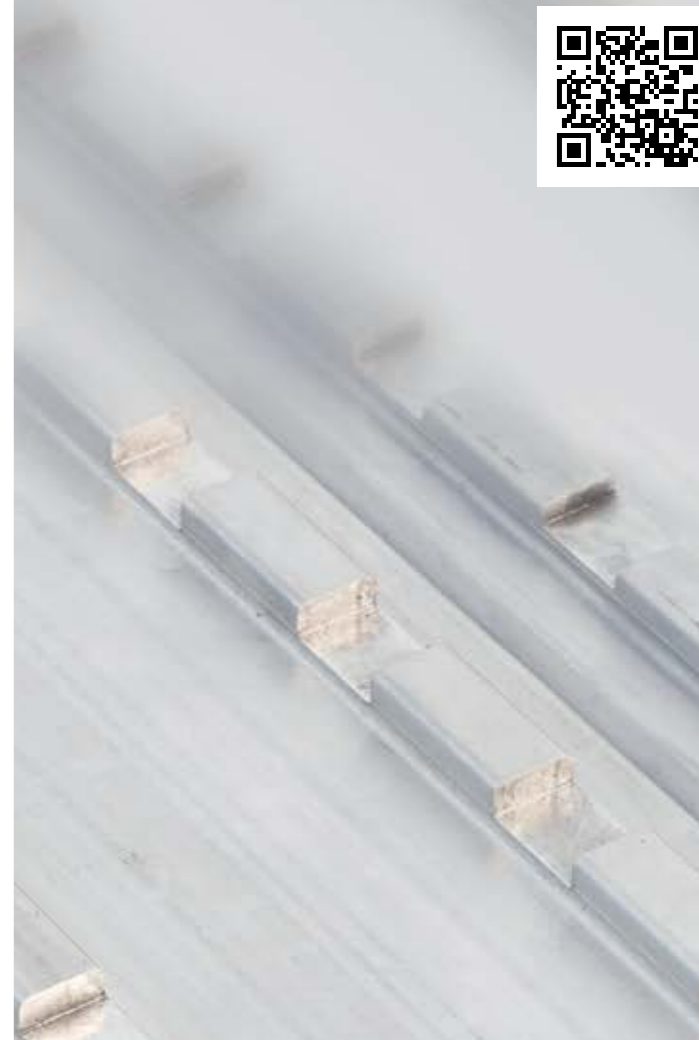
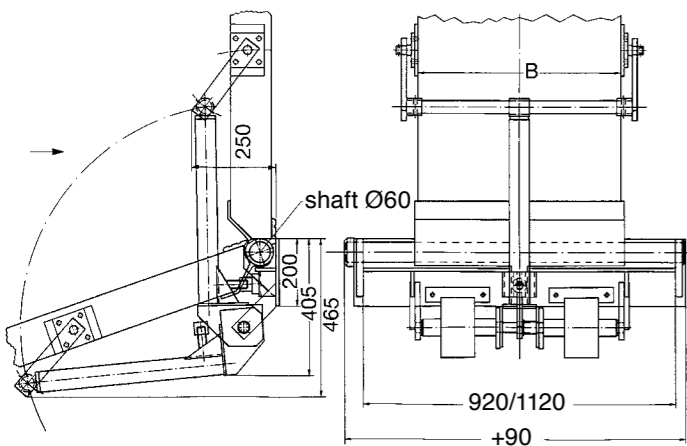
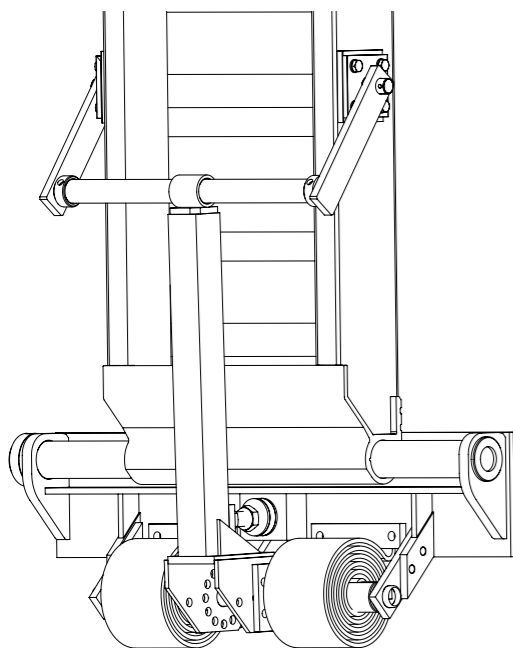
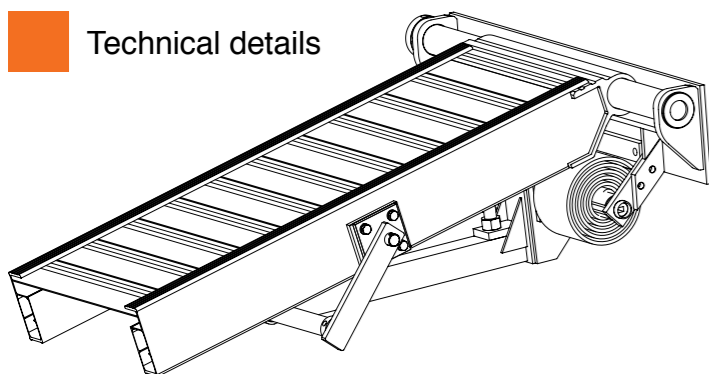
Spring system

30



If you are considering fitting your vehicle with our AVS 150-200 or VFR 105-134 we can supply a maintenance free spring system which makes stowing the ramps in the upright position an easy one man operation. The system comes fully assembled. Simply offer up the complete system to the rear bearer of your vehicle and weld in place.

Technical details



Spring system		
Order code		Weight (kgs/ea)
134.00.901	Spring system for width 450 mm (lateral movement 923 mm), per pair	109
134.00.902	Spring system for width 600 mm (lateral movement 1123 mm), per pair	149

Spring system with detachable ramp on request.



Type
VFR Wheel
ramps

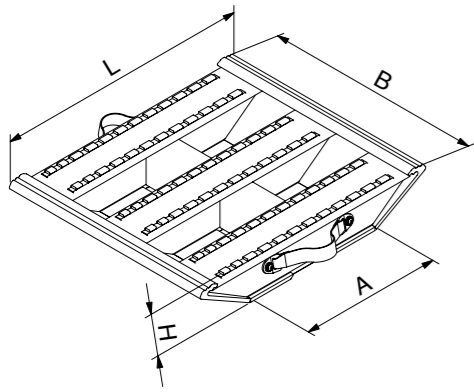
32



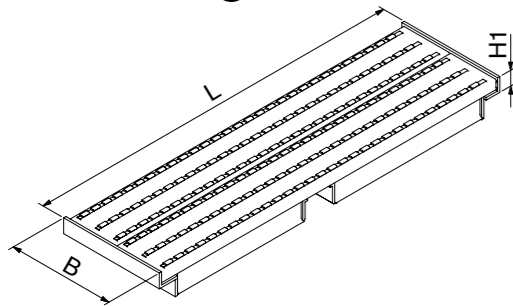
For very heavy loads we offer a bespoke range of loading solutions including low loader wedges and combine wells with capacities up to 80 tonnes.

Technical details

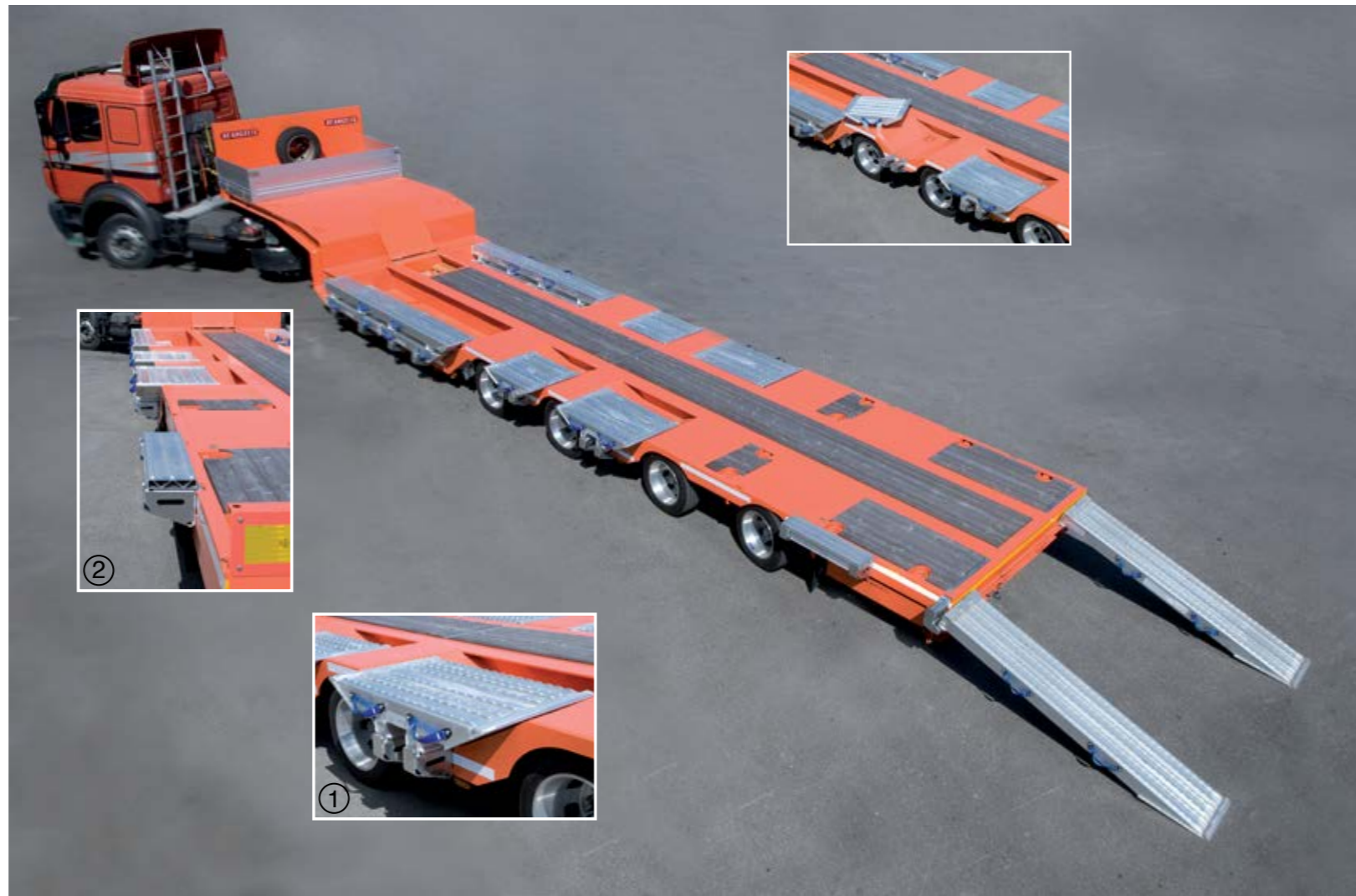
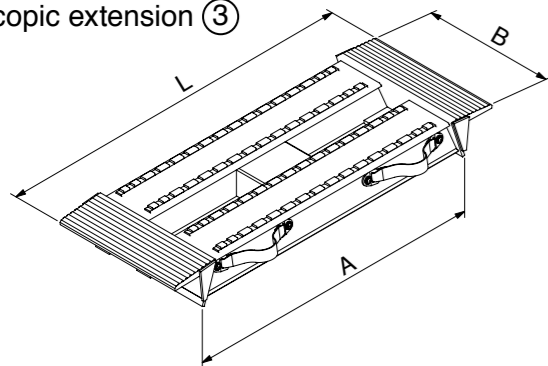
VFR insert for wheel recesses ①



VFR widening element ②

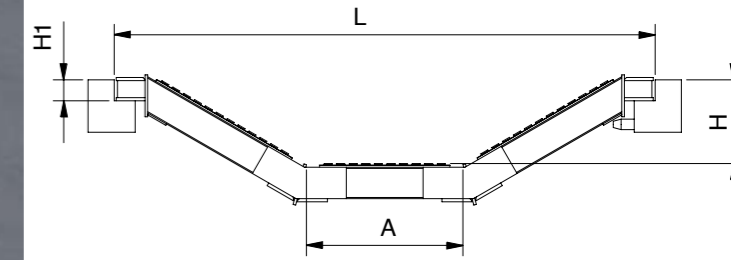


VFR extender for trailer with telescopic extension ③

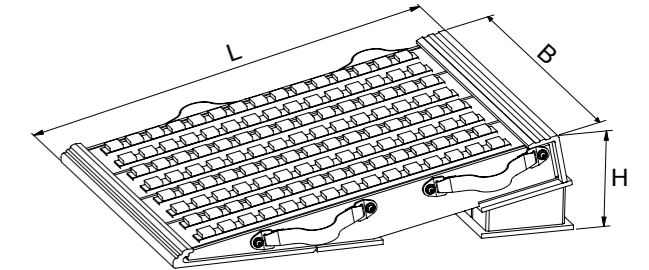


Technical details

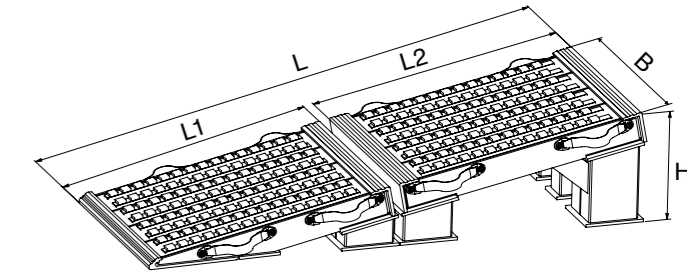
VFR wheel recess for trailer with telescopic extension ④



VFR heavy duty wedge, one part



VFR heavy duty wedge, two parts ⑤



VFR Loading station

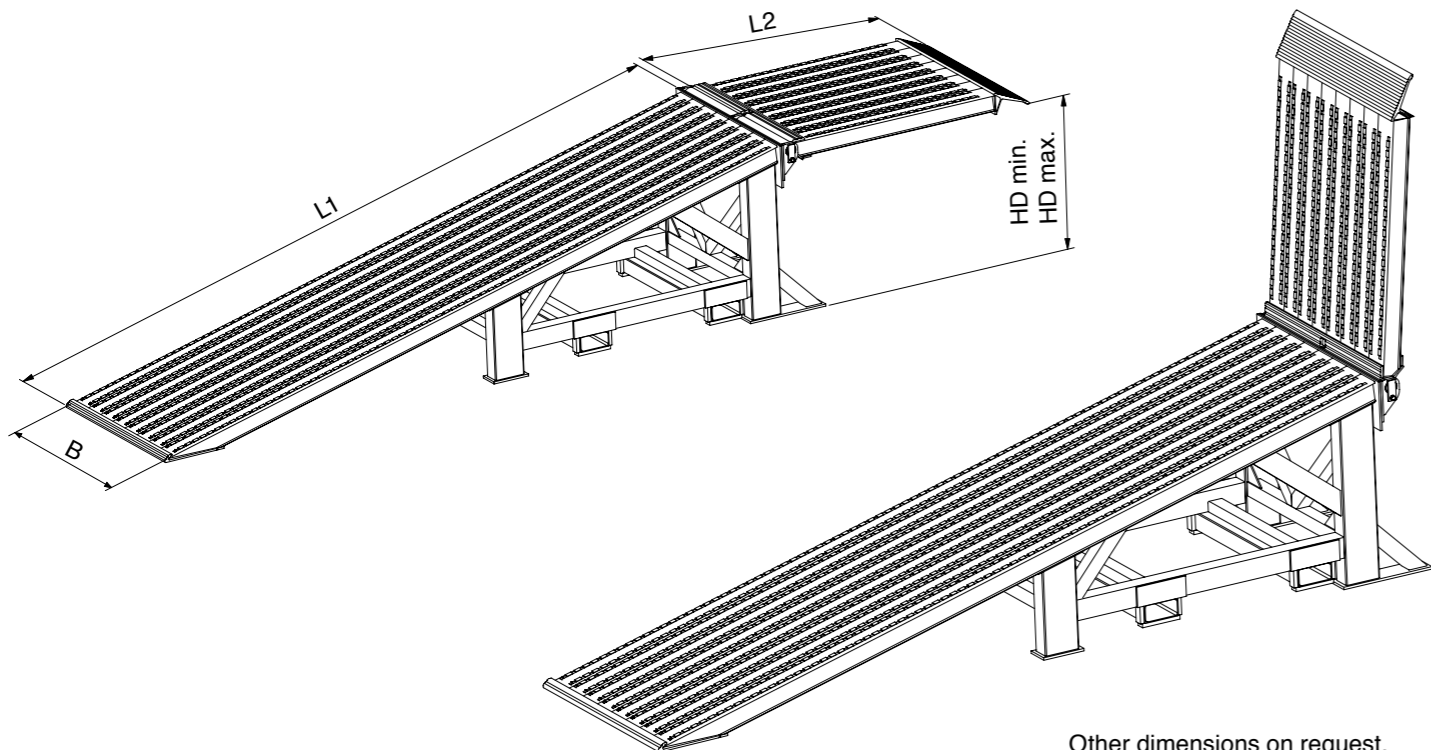
34



Our loading station has been designed for loading fork lifts and plant into standing vehicles. If you need to load or unload goods in this situation we would suggest the use of a Yard Ramp.



Technical details



Our aluminium Hose ramp Type SKR protects hoses, cables and pips with an diameter up to Ø110 mm against wheel and tracked vehicle.

- These bridge ramps:
- are easy to handle
 - are weatherproof
 - are maintenance-free
 - secured against slippage by rubber profiles
 - fold for storage
 - have handle cut outs for lifting.

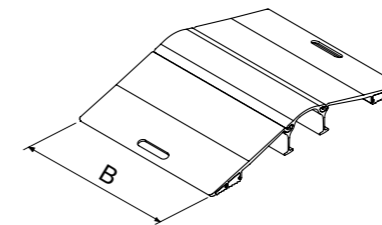
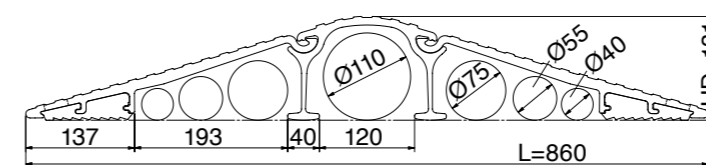
Type SKR hose bridge

35

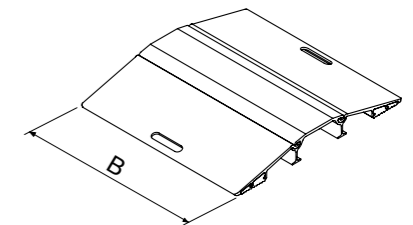
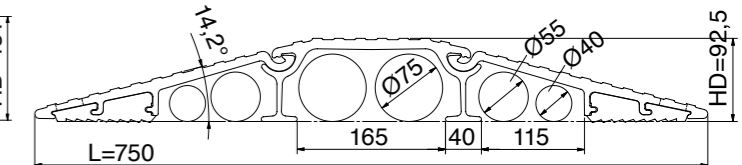


Technical details

SKR 1 A



SKR 2 B



Type	Order code	Length L (mm)	Width B (mm)	Axial protection	Capacity (kgs/pair)	Weight (kgs/ea)
SKR 1 A	307.56.001	860	600	yes	14 000	26
	307.56.002	860	600	no	14 000	26
SKR 2 B	307.55.001	750	700	yes	14 000	24
	307.55.002	750	700	no	14 000	24

Ramp for sack trucks

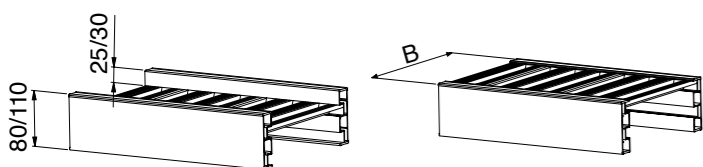
36



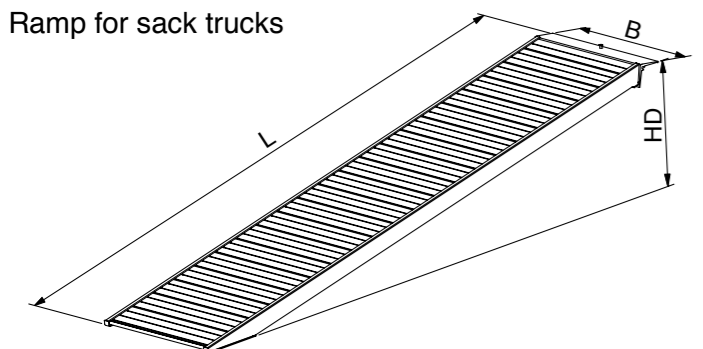
Removal firms, furniture companies or beverage carriers are the main users of this lightweight, nonslip loading ramp.



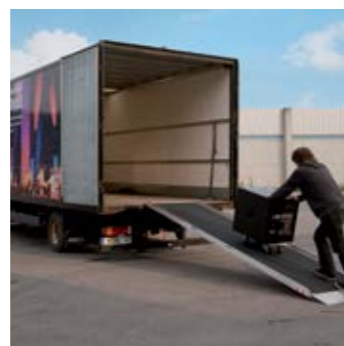
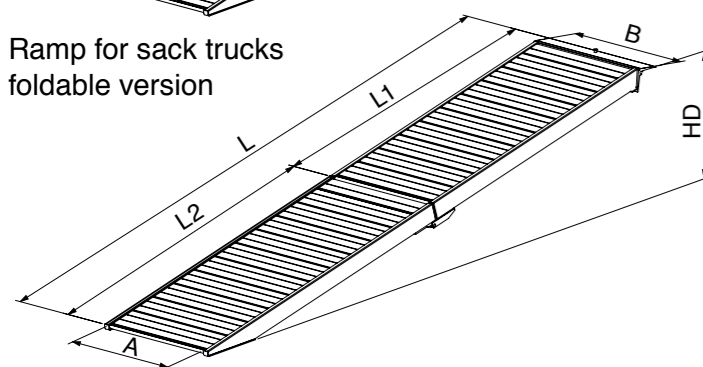
Technical details



Ramp for sack trucks



Ramp for sack trucks foldable version



Ramp for sack trucks

Type	Order code		Length L (mm)	Width B (mm)		Bed height HD (mm)	Capacity (kgs/ea)	Weight (kgs/ea)
	without curbs	with curb		internal	external			
AVS 80	080.01.050	080.00.050	3060	540	600	680 - 850	350	29
AVS 110	110.01.050	110.00.050	3950	540	600	880 - 1110	495	36
AVS 80 foldable	080.55.050	080.56.050	3060	540	600	680 - 850	350	32
AVS 110 foldable	110.55.050	110.56.050	3950	540	600	880 - 1110	495	40

Event ramp

Type	Order code	Length L (mm)	Width B (mm)		Bed height HD (mm)	Capacity (kgs/ea)	Weight (kgs/ea)
			internal	external			
Event	081.00.001	2975	900	920	460 - 890	400	49
	081.00.002	3990	900	920	600 - 1170	350	65
	081.00.003	5005	900	920	770 - 1500	350	81

Special models on request.

Event ramp

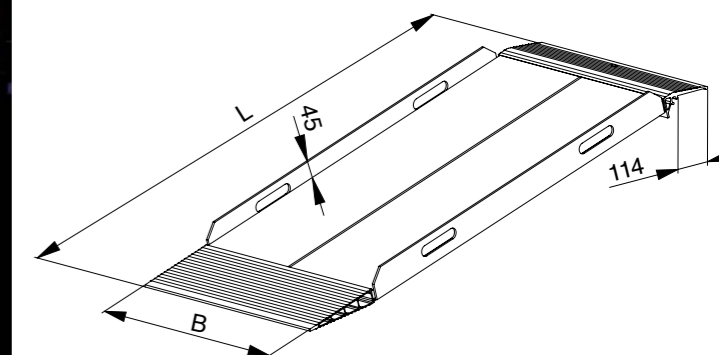
37



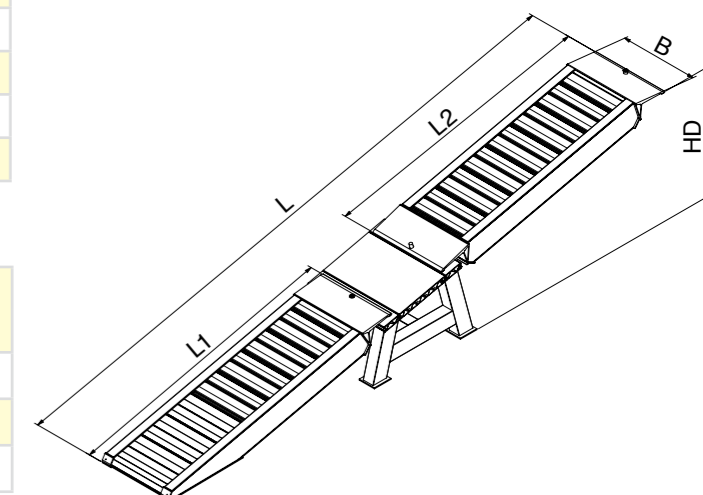
The event ramp has been designed especially for the loading of trolleys or cases with small wheels. Probably used by musicians, event engineers or those loading flight cases.

Anti-slip coating surface ensures minimal vibration.

Technical details



Special model two-part ramp with loose support stool



Type
AWR

38

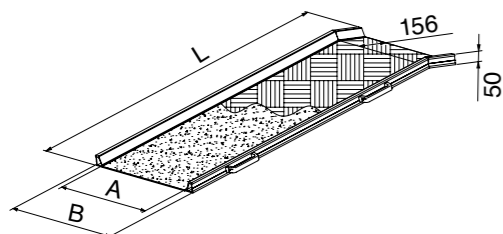


The AWR is available in plate or grit coated options. An ideal ramp for loading equipment with small wheels or casters.

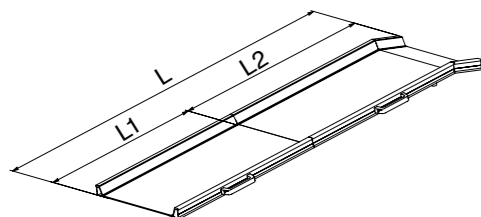


Technical details

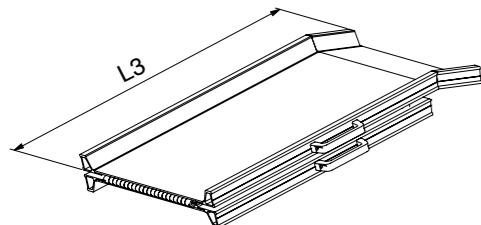
AWR



AWR-F



AWR-F



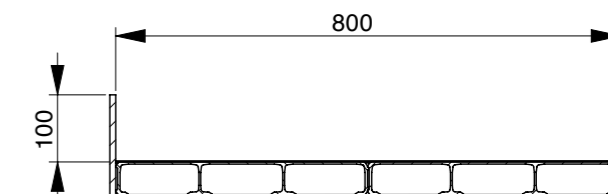
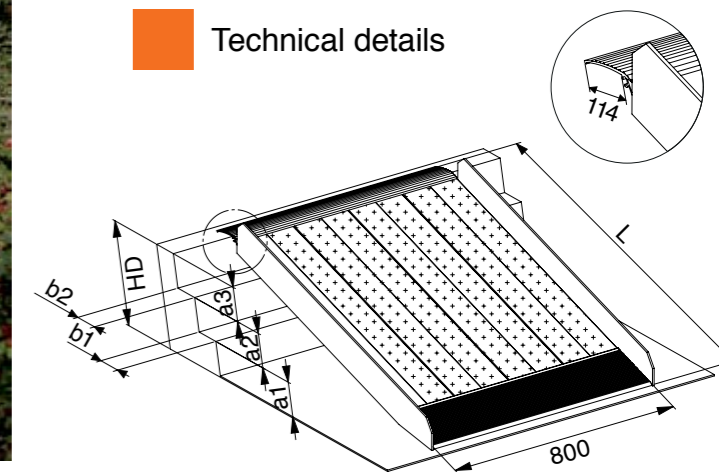
Type
AOL-R

39

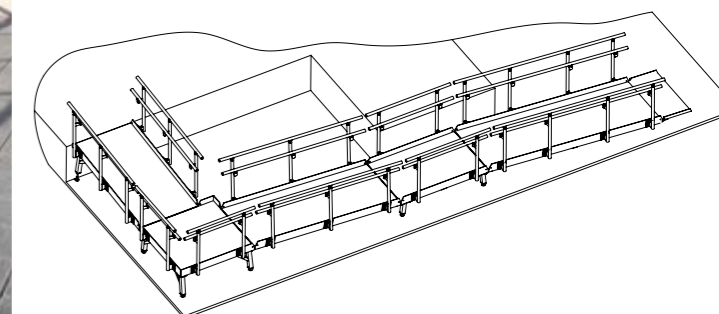


The AOL-ramp is designed to overcome stairs or high steps. The surface is fabricated from extruded aluminium profiles which are perforated and embossed to give a perfect anti-slip surface. This in turn allows rain and snow to disperse very easily. Handrails are available on request.

Technical details



Modular ramp system type RLS on request



Type	Order code	Length L (mm)	Width B (mm)	Bed height HD (mm)	Capacity (kgs/ea)	Weight (kgs/ea)
AOL-R	081.00.800	1505	800 (+15)	220-400	400	25
	081.00.801	1995	800 (+15)	300 - 540	400	32
	081.00.802	2485	800 (+15)	380 - 690	400	39
	081.00.803	2975	800 (+15)	460 - 830	400	52
	081.00.804	3500	800 (+15)	550 - 980	400	60
	with support foot	081.00.805	3990	800 (+15)	610 - 1120	400

Curb ramp

40



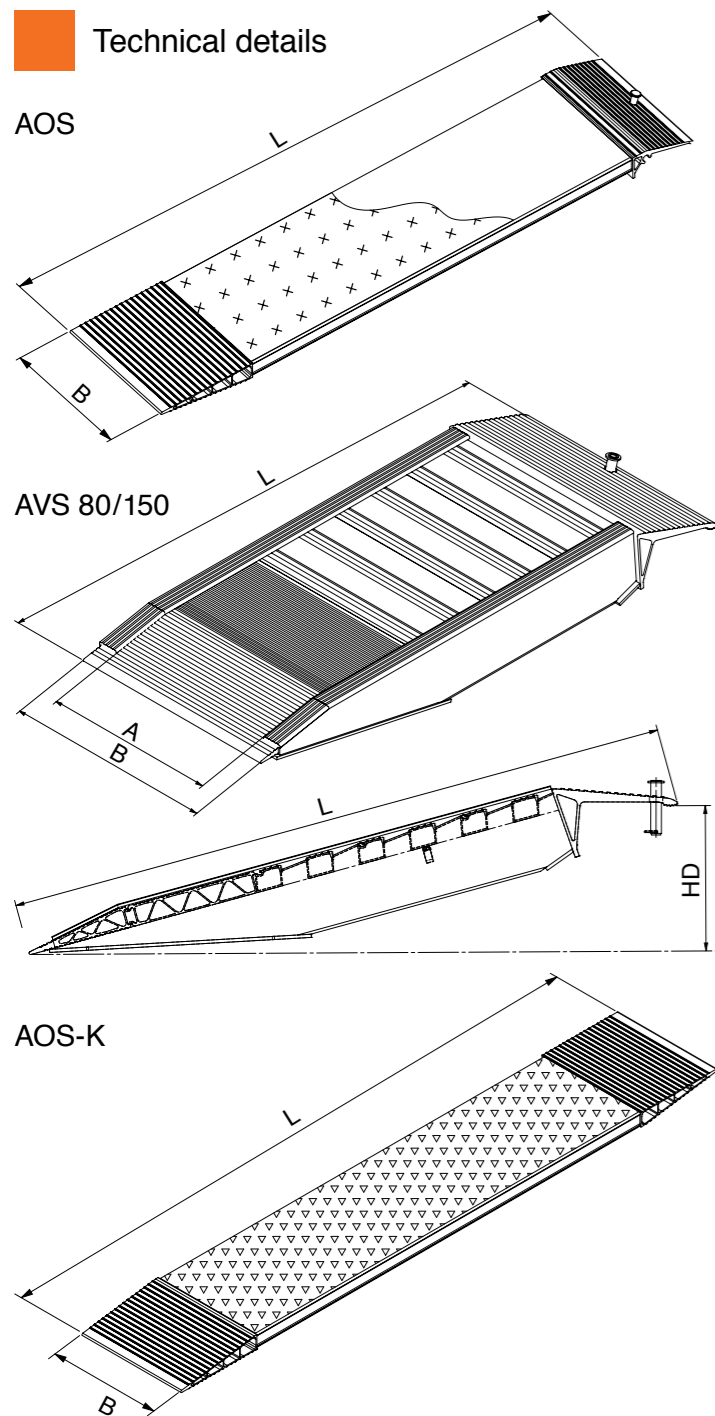
Type Trench Bridge BSS

41



With this aluminium bridge you can cross trenches safely.

Technical details

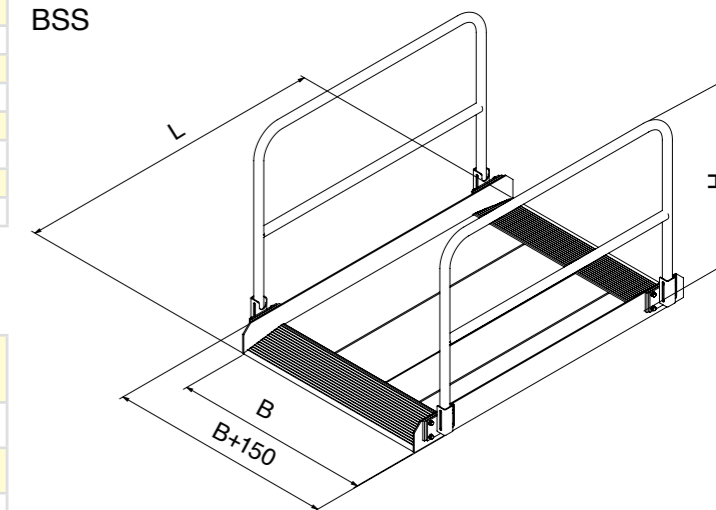


The robust aluminum construction provides:

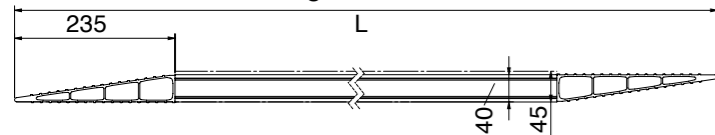
- low weight
- high slip-resistance (R 12) by special punching of the tread
- water can run and dirt can fall through the punching
- weatherproof
- maintenance-free
- folding aluminium railing, height 1000 mm
- Up stand height 100 mm
- wedge profile on both sides for a stepless transition

Technical details

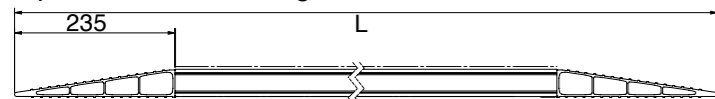
BSS



Standard version: wedge rotated on one side



Optional version: wedge rotated on both sides



Type	Order code	Length L (mm)	Width (mm)		Bed height HD (mm)	Capacity (kgs/pair)	Weight (kgs/ea)
			A	B			
AOS	081.01.913	500	300	305	120	1500	4
	081.01.906	805	300	305	200	1500	6
AVS 80	080.01.123	500	245	305	120	3000	5
	080.01.125	800	245	305	200	3000	6
AVS 150	150.11.026	1000	400	500	170	7300	21
	150.11.023	1250	400	500	220	7300	25
	150.11.027	1500	400	500	270	7300	28
	150.11.028	1750	400	500	320	7300	32
	150.11.030	2000	400	500	370	7300	36

AOS-K

Type	Order code	Length L (mm)	Width B (mm)	Capacity (kgs/pair)	Weight (kgs/ea)
AOS-K	081.83.001	990	300	1825	6
	081.84.001	990	400	2250	8
AOS-K	081.83.002	1305	300	1540	7
	081.84.002	1305	400	2250	10

Trench bridge

Type	Order code	Length L (mm)	Width B (mm)	Height H (mm)	Capacity (kgs/ea)	Weight (kgs/ea)
BSS	083.31.010	1585	1000	1000	1500	52
	083.31.011	2075	1000	1000	1255	61
	083.31.012	2565	1000	1000	925	71
	083.31.013	3055	1000	1000	735	80

Type Maintenance ramps

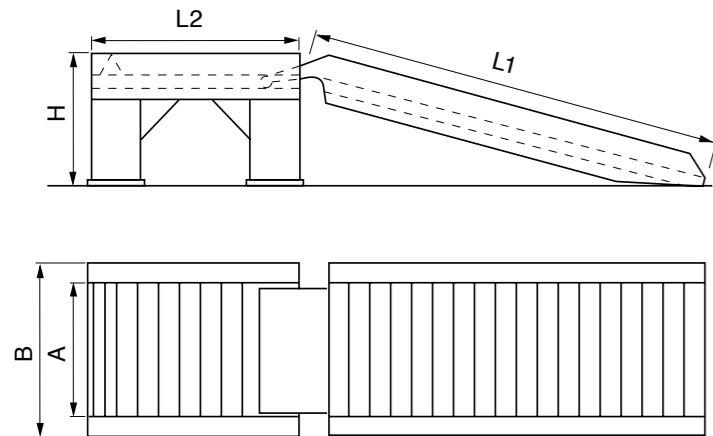
42



Ideal for the maintenance of vehicles (inspection, cleaning etc.). These ramps are manufactured mostly as required, and can be supplied with or without safety curbs.



Technical details



Maintenance ramps

Type	Order code		Length L1 (mm)	Width A (mm)	Width B (mm)	Height H (mm)	Capacity* (kgs/pair)	Stand length L2 (mm)	Weight (kg)	
	without curbs	with curb							Stand	Ramp
WRM	140.01.100	140.00.100	1970	340	400	400	3310	500	13	17
	140.01.101	140.00.101	2330	340	400	600	2790	500	15	20
	140.01.102	140.00.102	2085	360	460	450	7850	700	24	31
	140.01.103	140.00.103	2485	360	460	600	7800	700	27	36

*Capacity at axle distance = 1500 mm

Type Gangway

43



Type RLS

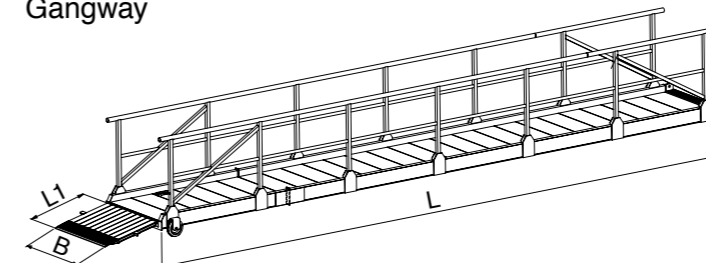
The embossed surface of this wheelchair ramp ensures an excellent grip as well as aiding in the dispersal of rain, snow and dirt.

Type Gangway

Ship ramps and footbridges/ wheelchair ramp can be produced with our proven profile systems in various versions.

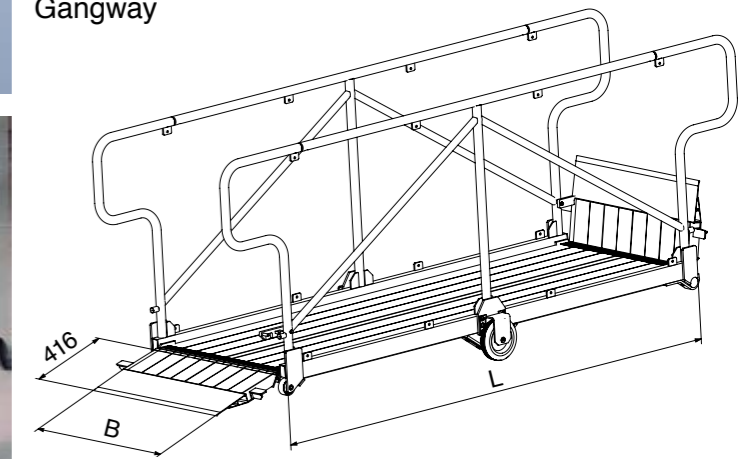


Gangway

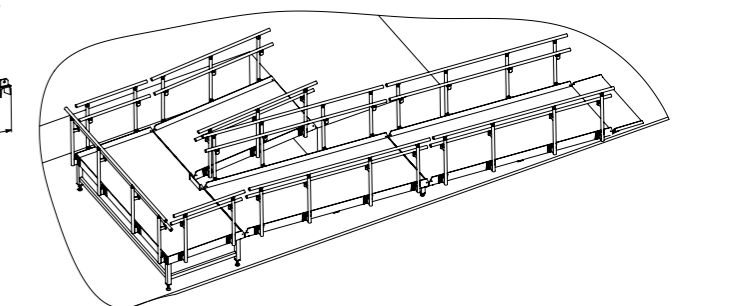


Technical details

Gangway



RLS (Modular ramp system)

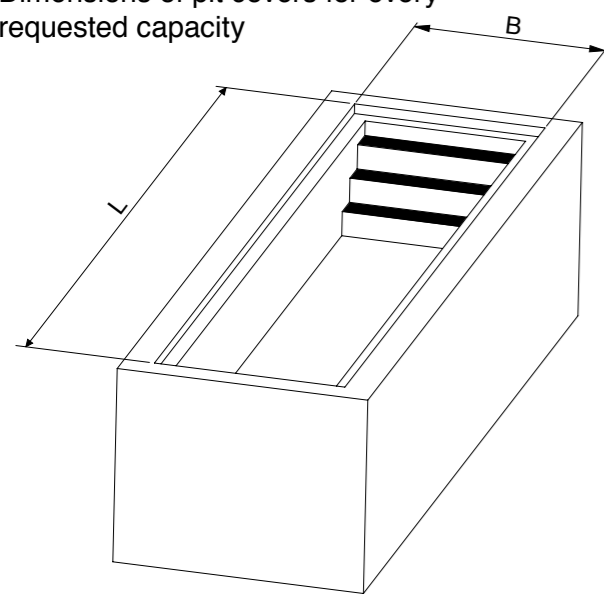




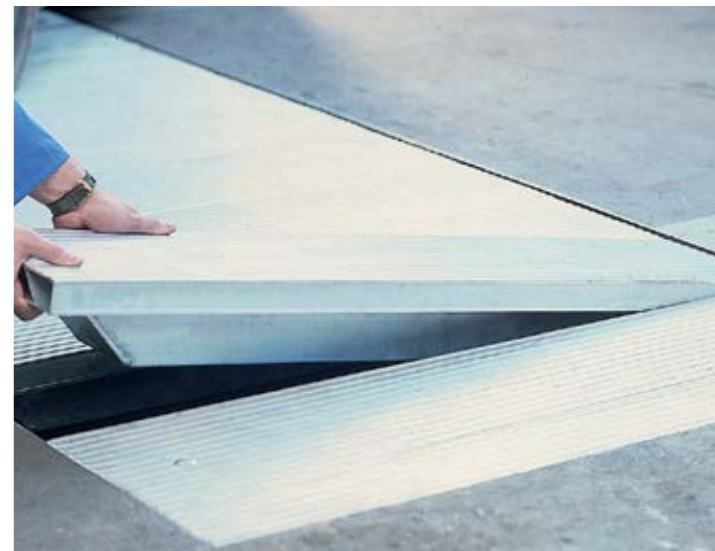
Aluminium pit covers are available to help make maintenance areas safe when the pits are not in use. Manufactured in small light weight sections to suit your pit configuration, these covers are available in capacities up to 4000 kgs.

Technical details

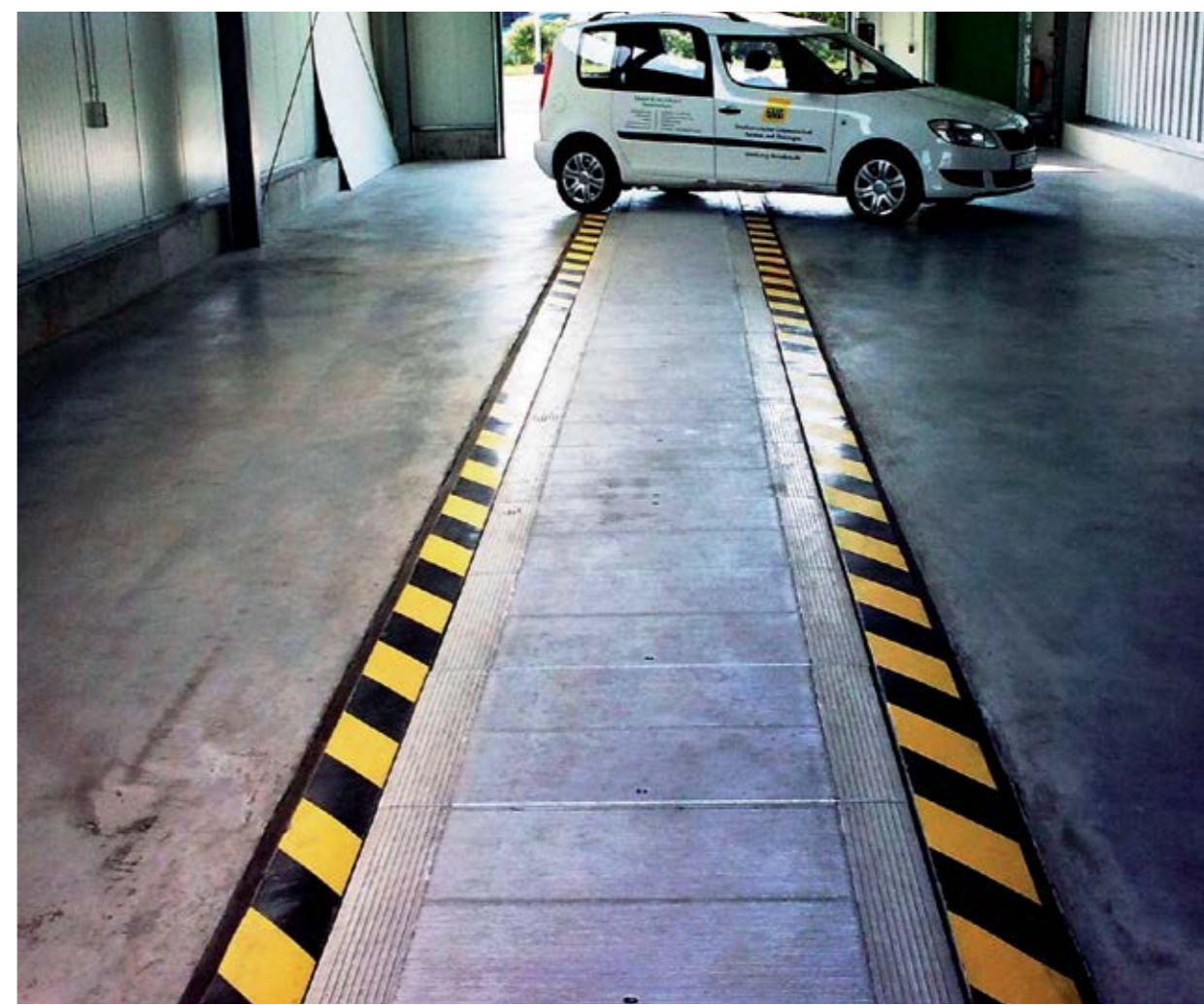
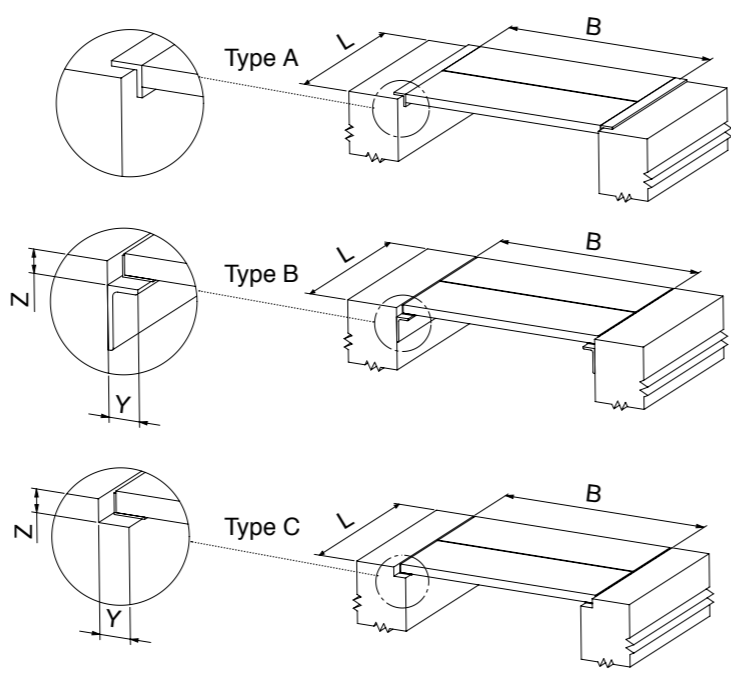
Dimensions of pit covers for every requested capacity



Various pit covers with their corresponding connection options. In case of an order, we need a drawing with the marked dimensions as well as the length of the pit cover and the desired capacity.



Connection options



Type
RAS-W

46



These ramps can be permanently installed inside the vehicle. The ramps pivoting and sliding mechanism uses maintained held. During transport the ramps are maintained vertically inside the vehicle by the safety straps supplied. If required, the ramp surface can easily be renewed with an anti-slip adhesive.



The wedge profile attached at the lower support point ensures a smooth transition from the ground to the ramp. The special punching of the surface guarantees a high slip resistance (R 12).

Type AOS-W
Installation-ramps

47

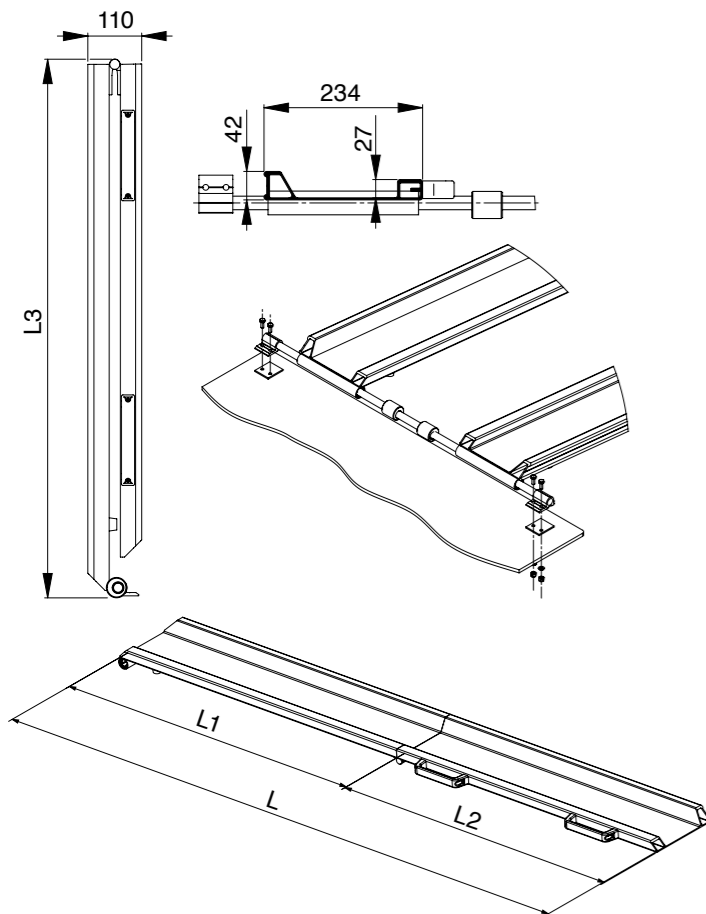


Technical details RAS-W

Each pair of ramps is supplied with a mounting kit.

- The complete set consists of:
- 1 Pair of ramps
 - 1 steel axle (length 1800 mm)
 - 1 installation kit to fix the axle to the floor of the vehicle
 - 2 safety straps to hold the ramps in vertical position

Other dimensions on request.

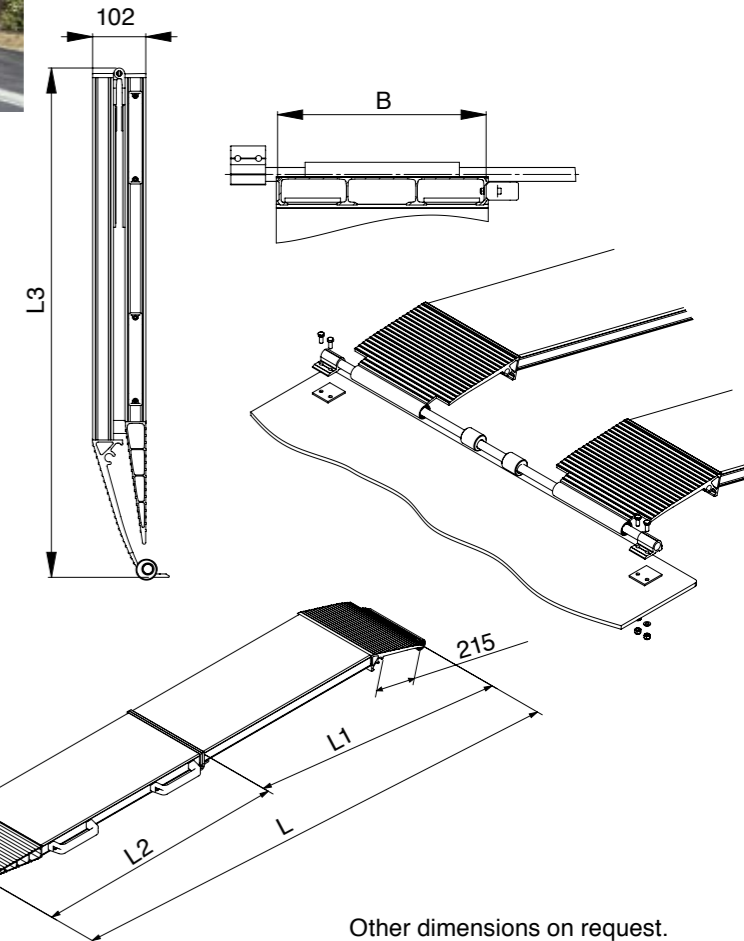


Technical details AOS-W



- The complete set consists of:
- 1 pair RAS-W (1x left / 1x right)
 - 1 steel axle (length 1800 mm)
 - 1 installation kit to fix the axle to the floor of the vehicle
 - 2 safety straps to hold the ramps in vertical position

Other dimensions on request.



Type	Order code	Length L (mm)	Width B (mm)	L3 (mm)	Capacity* (kgs/pair)	Bed height HD (mm)	Weight (kgs/ea)
RAS-W	082.10.021	2000	234	1040	310	320 - 570	9
	082.10.022	2390	234	1235	295	380 - 680	10
	082.10.023	2800	234	1440	270	450 - 800	17

Type	Order code	Length (mm)			L3 (mm)	Width B (mm)	Bed height HD (mm)	Capacity* (kgs/pair)	Weight (kgs/ea)
		L	L1	L2					
AOS-W 200	081.30.000	2000	1025	975	1040	200	320 - 570	500	9
	081.30.001	2420	1235	1185	1250	200	380 - 690	380	11
	081.30.002	2840	1445	1395	1460	200	450 - 850	310	12
AOS-W 300	081.30.004	2000	1027	973	1040	300	320 - 570	600	14
	081.30.005	2420	1237	1183	1250	300	380 - 690	460	15
	081.30.006	2840	1447	1393	1460	300	450 - 850	370	17

*Capacity at axle distance = 1000 mm

Other dimensions on request.

Type
RRK

48



Construction

This aluminium ramp is designed for easy one man operation. The folding and unfolding of the ramp is made almost effortlessly by the use of gas struts to balance the weight of the ramp. The ramp surface is fabricated from extruded aluminium profiles which are perforated and embossed to give a perfect anti-slip surface. This also allows rain and snow to disperse very easily. The light weight of the ramp allows most of the pay load of the vehicle to be retained. The RRK is held in the vertical position by two latches, mounting blocks are used to keep the assembly rigid and prevent any vibration during transport.

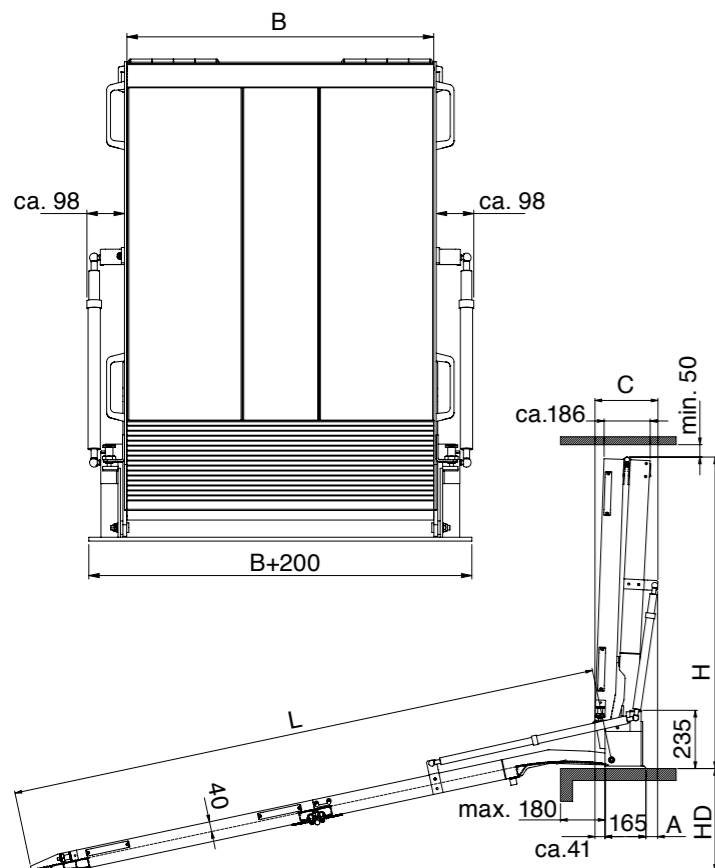
Other advantages:

- Virtually maintenance free
- Fitted with 30 mm high safety curbs along both edges.
- Robust hinges (guaranteed for life).

Installation

The ramp is both removable and versatile, and can be mounted on different vehicles of identical dimensions, either as a rear or side loading ramp. If the vehicle is to be used for other purposes, the ramp is easily dismantled by unscrewing the thumb screws supplied. The ramps are supplied with a complete mounting kit including a base plate, and a reinforcing counter plate.

Technical details



Type	Order code	Length L (mm)	Width B (mm)		Dimension (mm)			Bed height HD (mm)		Capacity (kgs/ea)	Weight (kgs/ea)
			internal	external	A	C	H	min. (15%)	max. (30%)		
RRK 02	081.01.102	1400	800	1050	95	285	800	220	340	450	37
RRK 03	081.01.103	1400	1000	1250	95	285	800	220	340	450	43
RRK 04	081.01.104	1600	800	1050	100	290	875	240	380	450	39
RRK 05	081.01.105	1600	1000	1250	100	290	875	240	380	450	46
RRK 06	081.01.106	1800	800	1030	100	290	980	195	430	450	42
RRK 07	081.01.107	1800	1000	1230	100	290	980	196	430	450	50
RRK 08	081.01.108	2000	800	1030	100	290	1050	230	490	450	45
RRK 09	081.01.109	2000	1000	1230	100	290	1050	230	490	450	53
RRK 10	081.01.110	2000	1200	1500	100	290	1045	230	490	450	62
RRK 11	081.01.111	2200	800	1030	100	290	1155	260	545	450	48
RRK 12	081.01.112	2200	1000	1230	100	290	1155	260	545	450	56
RRK 00	081.01.100	2400	800	1030	100	290	1260	290	600	450	51
RRK 01	081.01.101	2400	1000	1230	100	290	1260	290	600	450	60
RRK 14	081.01.114	2400	1200	1500	100	290	1260	290	600	450	70
RRK 15	081.01.115	2600	800	1030	100	290	1365	320	660	450	53
RRK 16	081.01.116	2600	1000	1230	100	290	1365	320	660	450	63
RRK 17	081.01.117	2600	1200	1430	100	290	1260	320	660	450	74
RRK 18	081.01.118	2800	800	1030	100	290	1470	350	720	430	56
RRK 19	081.01.119	2800	1000	1230	100	290	1470	350	720	430	66
RRK 20	081.01.120	3000	800	1030	110	300	1575	385	775	400	59
RRK 21	081.01.121	3000	1000	1230	110	300	1575	385	775	400	70

DEKRA-certified

Our RRK ramps undergo a special stress test under German industry standard 75078. By applying pressure equivalent to 20 times the weight of the ramp. This test ensures that no parts break under strain in the event of a rear end collision.



Type
RLK-Z

50

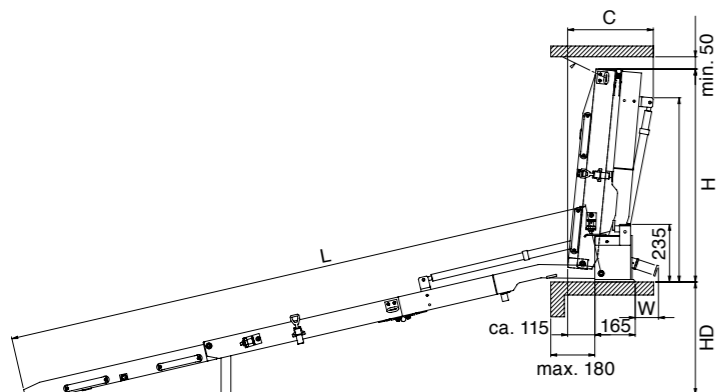
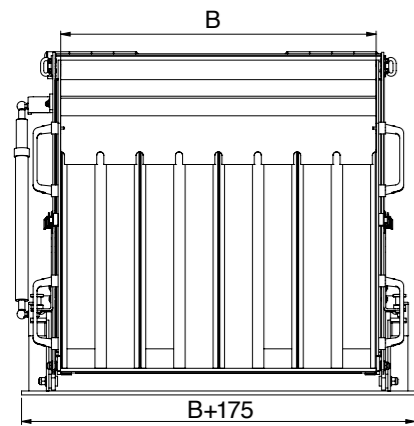


The RLK-Z is logical development from the RLK.

The ramp is triple folding and is intended for installation in vehicles with an low interior height. It is also very easy to use.



Technical details



Type	Order code	Length L (mm)	Width B (mm)		Dimension (mm) C	W	H	Bed height HD (mm)		Capacity (kgs/ea)	Weight (kgs/ea)
			internal	external				min. (15%)	max. (30%)		
RLK - Z	086.00.001	2200	825	1020	310	0	805	325	510	350	43
	086.00.002	2400	825	1020	310	10	875	365	575	350	45
	086.00.003	2700	825	1020	310	35	980	420	650	350	49
	086.00.004	2900	825	1020	310	50	1050	460	710	350	52

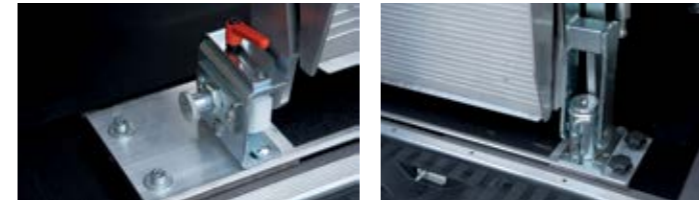
Type	Order code	Length L (mm)	Width B (mm)		Dimension (mm) A	C	H	Bed height HD (mm)		Capacity (kgs/ea)	Weight (kgs/ea)
			internal	external				min. (15%)	max. (30%)		
RRD 02	081.01.302	1400	800	1020	95	280	865	115	300	450	50
RRD 03	081.01.303	1400	1000	1220	95	280	865	115	300	450	50
RRD 04	081.01.304	1600	800	1050	100	280	940	150	355	450	52
RRD 05	081.01.305	1600	1000	1220	100	280	940	150	355	450	53
RRD 06	081.01.306	1800	800	1020	100	280	1030	180	415	450	50
RRD 07	081.01.307	1800	1000	1220	100	280	1030	180	415	450	57
RRD 08	081.01.308	2000	800	1020	100	280	1100	210	470	450	53
RRD 09	081.01.309	2000	1000	1220	100	280	1100	210	470	450	60
RRD 11	081.01.311	2200	800	1020	100	280	1205	240	530	450	55
RRD 12	081.01.312	2200	1000	1220	100	280	1205	240	530	450	63
RRD 00	081.01.300	2400	800	1020	100	280	1310	270	585	450	58
RRD 01	081.01.301	2400	1000	1220	100	280	1310	270	585	450	67
RRD 15	081.01.315	2600	800	1020	100	280	1415	305	640	450	61
RRD 16	081.01.316	2600	1000	1220	100	280	1415	305	640	450	70
RRD 18	081.01.318	2800	800	1020	100	280	1520	335	700	430	64
	081.01.203	Additional pivot bearing for lateral		storage							

Type
RRD

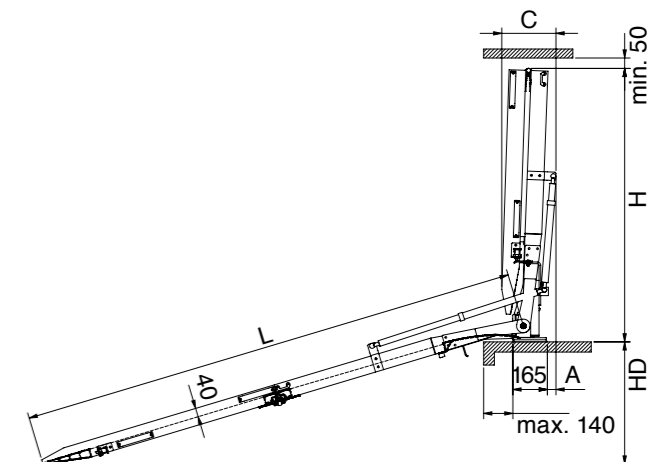
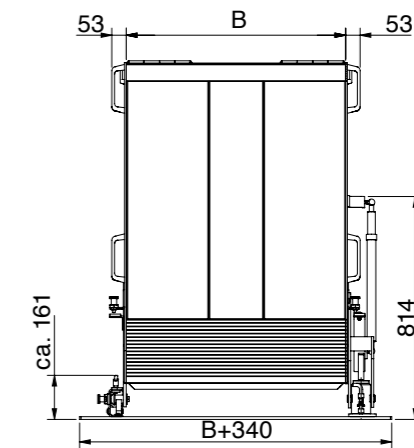
51



A further option is the RRD. It is rotatable and offers a wide range of applications. When the ramp is not in use it can be rotated to the inside and be fixed with a bearing block.



Technical details



Type
LB

52

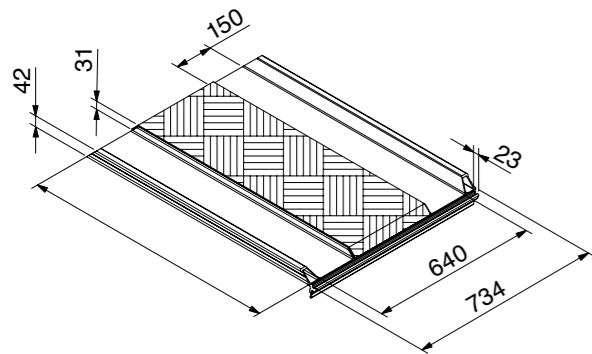


Side ramps for tail-lifts and tail-boards. These ramps facilitate the loading/unloading operations from vehicles alongside the kerb.

They bring security and quicker unloading times for carriers who have to deliver within a town centre using vehicles equipped with hydraulic tail-lifts.

Technical details

LBGM

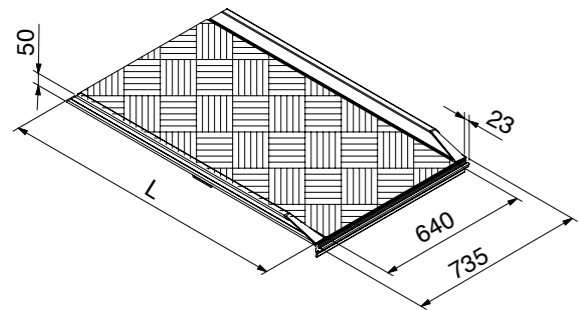


LBGM

Removable model for fixing to an aluminium rail integrated within the tailboard. Includes wheel guides, and safety curbs both sides.

Type	Order code	Length L (mm)	Width B (mm) internal	Width B (mm) external	Capacity* (kgs/ea)	Weight (kgs/ea)
LBGM 1	083.09.000	975	2 x 150	734	600	13
LBGM 2	083.09.001	1175	2 x 150	734	600	15
LBGM 4	083.09.003	1475	2 x 150	734	600	18
LBGM 3	083.09.002	1975	2 x 150	734	600	24

LBWM

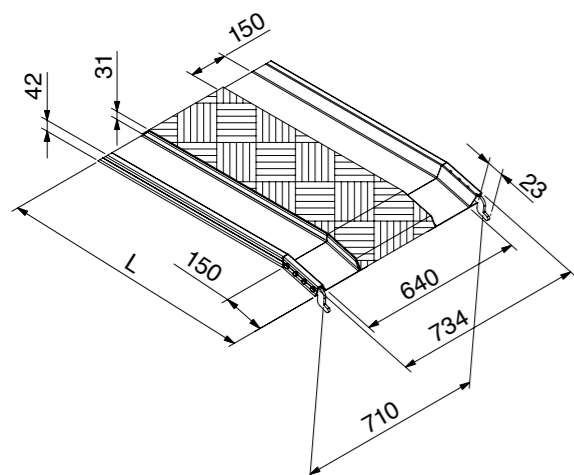


LBWM

Removable model for fixing to an aluminium rail integrated within the tailboard. No wheel guides. Safety curbs on both sides.

Type	Order code	Length L (mm)	Width B (mm) internal	Width B (mm) external	Capacity* (kgs/ea)	Weight (kgs/ea)
LBWM 1	083.10.000	1000	640	733	600	16
LBWM 2	083.10.001	1200	640	733	600	19
LBWM 3	083.10.002	2000	640	733	600	30

LBK



LBK

Removable model with a horizontal platform, galvanised hook fixing to the tail-board through 12 x 40mm slots. Includes wheel guides, safety curbs both sides, and adjustable hooks.

Type	Order code	Length L (mm)	Width B (mm) internal	Width B (mm) external	Capacity* (kgs/ea)	Weight (kgs/ea)
LBK 1	083.07.000	965	2 x 150	734	600	12
LBK 2	083.07.001	1165	2 x 150	734	600	14
LBK 4	083.07.003	1465	2 x 150	734	600	18
LBK 3	083.07.002	1965	2 x 150	734	600	23

The galvanised hooks are screwed and replaceable.

LBG

Removable model galvanised hook fixing to the tail-board through 12 x 40 mm slots. Includes wheel guides, safety curbs both sides, and adjustable hooks.

Type	Order code	Length L (mm)	Width B (mm) internal	Width B (mm) external	Capacity* (kgs/ea)	Weight (kgs/ea)
LBG 1	083.06.000	975	2 x 150	734	600	12
LBG 2	083.06.001	1175	2 x 150	734	600	14
LBG 4	083.06.003	1475	2 x 150	734	600	18
LBG 3	083.06.002	1975	2 x 150	734	600	23

The galvanised hooks are screwed and replaceable.

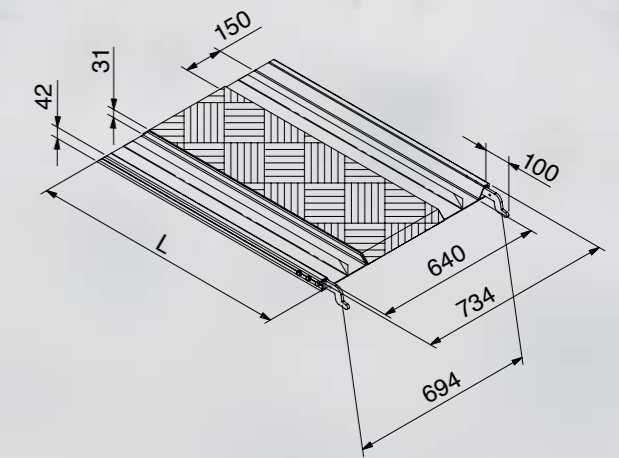
LBW

Removable model galvanised hook fixing to the tail-board through 12 x 40 mm slots. Includes safety curbs both sides, and adjustable hooks. No wheel guides.

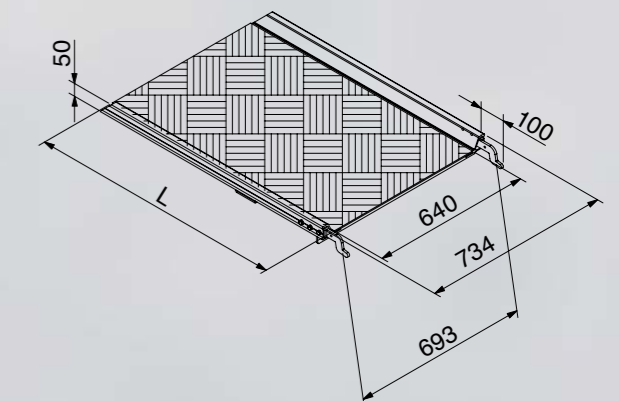
Type	Order code	Length L (mm)	Width B (mm) internal	Width B (mm) external	Capacity* (kgs/ea)	Weight (kgs/ea)
LBW 1	083.08.000	1000	640	733	600	16
LBW 2	083.08.001	1200	640	733	600	17
LBW 3	083.08.003	2000	640	733	600	23

The galvanised hooks are screwed and replaceable.

LBG



LBW



Type
RPB/RWB
Hinged tailboard ramps
54

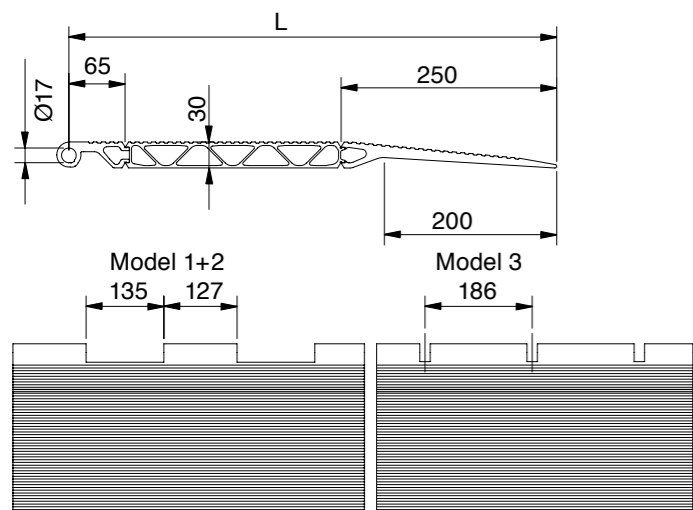


Hinged tailboard ramps are used between the rear deck of commercial vehicles and the loading dock, or as an access ramp when the vehicle platform is at ground level. When fitted to the rear of a commercial vehicle, they can serve as a tailboard and a load bearing access ramp.

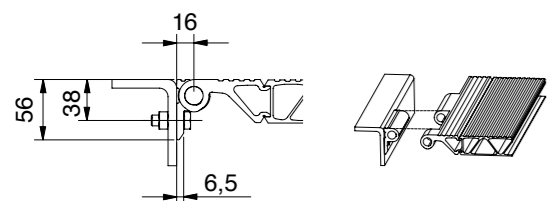
The tailboard ramps are fabricated from a honeycomb aluminium extrusion (model RPB) or in a five bar tread-plate design (model RWB), both give an anti-slip surface. Fitting kits are available as per figures 1,2 or 3 and the hinge shaft is included.

Technical details Type RPB 30

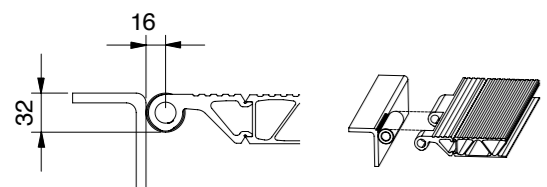
Hinged tailboard with 30 mm honeycomb profile



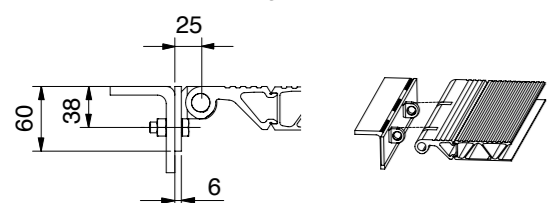
Model 1 / RPB 30-1
Bolted aluminium profile



Model 2 / RPB 30-2
Welded steel tube

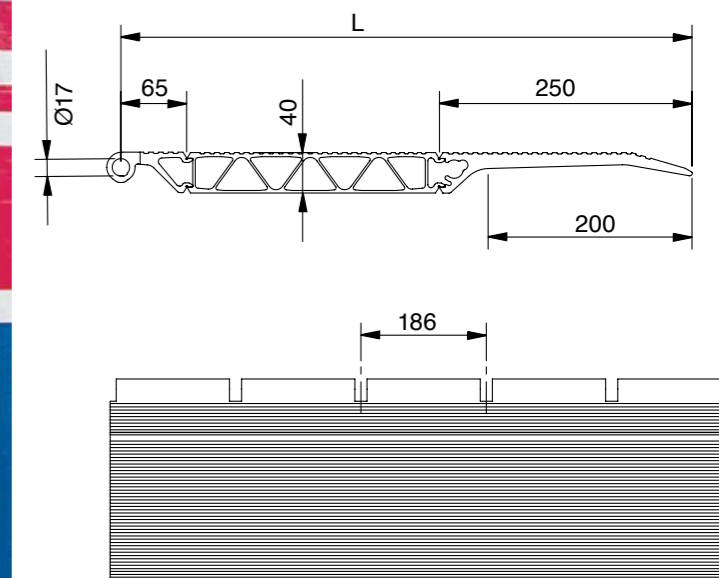


Model 3 / RPB 30-3
Bolt or welded steel hinge

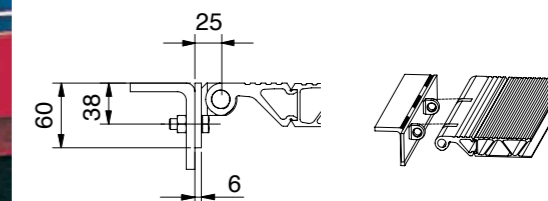


Technical details Type RPB 40

Hinged tailboard with 40 mm honeycomb profile

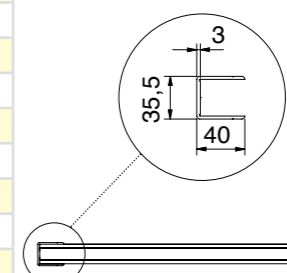


Model 3 / RPB 40-3
Bolt or welded steel hinge

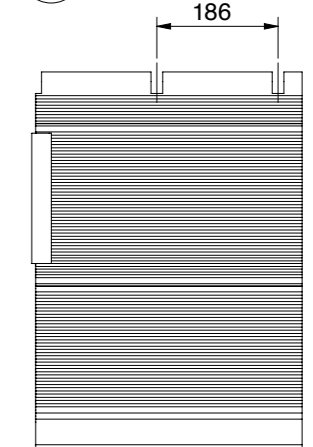
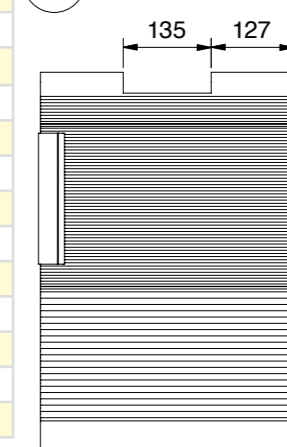
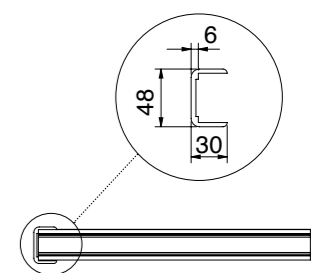


Type	Order code			Length L (mm)	Width B (mm)	Capacity (kgs/ea)	Weight (kg/lfm.)
	model 1	model 2	model 3				
RPB 30	390.31.000	390.32.000	390.30.000	565	As an option	3500	16
	390.31.001	390.32.001	390.30.001	690		3000	19
	390.31.002	390.32.002	390.30.002	815		2500	22
	390.31.003	390.32.003	390.30.003	940		2300	26
	390.31.004	390.32.004	390.30.004	1065		2100	29
	390.31.005	390.32.005	390.30.005	1190		1900	32
	390.31.006	390.32.006	390.30.006	1315		1600	35
	390.31.007	390.32.007	390.30.007	1565		1300	42
	390.31.008	390.32.008	390.30.008	1690		1100	45
	390.31.009	390.32.009	390.30.009	1815		900	48
RPB 40			392.30.000	565	As an option	4500	21
			392.30.001	690		4000	23
			392.30.002	815		3500	27
			392.30.003	940		3000	31
			392.30.004	1065		2800	33
			392.30.005	1190		2600	37
			392.30.006	1315		2500	41
			392.30.007	1565		2400	47
			392.30.008	1690		2100	51
			392.30.009	1815		1800	53
		392.30.010	2065	1400	60		

Profile of edge closer
RPB 30



Profile of edge closer
RPB 40



Type Hinged tailboard ramps RWB

56

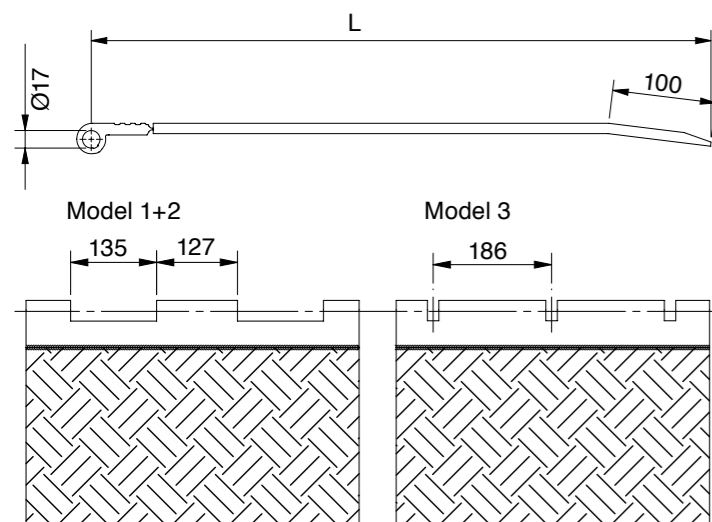


Hinged tailboard ramps are used between the rear deck of commercial vehicles and the loading dock, or as an access ramp when the vehicle platform is at ground level. When fitted to the rear of a commercial vehicle, they can serve as a tailboard and a load access ramp. The tailboard ramps are fabricated from a honeycomb aluminium extrusion (model RPB) or in a five bar tread plate design (model RWB), both give an anti-slip surface.

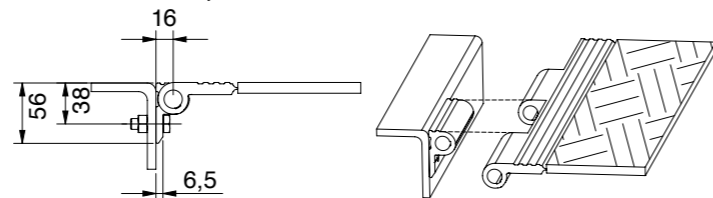
Fitting kits are available as per figures 1,2 and 3. The hinge shaft is included.

Technical details

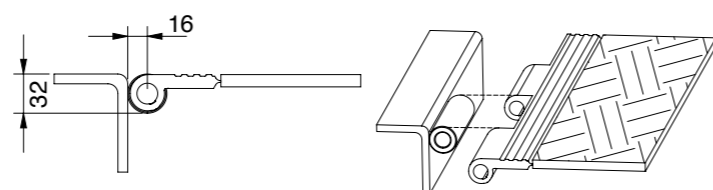
Hinged tailboard with five-bar treadplate surface



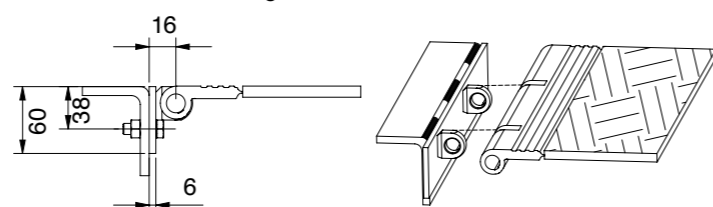
Model 1 / RWB 1 Bolted aluminium profile



Model 2 / RWB 2 Welded steel tube



Model 3 / RWB 3 Bolt or welded steel hinge



Order code			Length L (mm)	Width B (mm)	Capacity (kgs/ea)	Weight (kgs/ea)
Model 1	Model 2	Model 3				
391.31.000	391.32.000	391.30.000	600	2300	2500	40
391.31.001	391.32.001	391.30.001	600	2500	2500	44
391.31.002	391.32.002	391.30.002	800	2300	1900	53
391.31.003	391.32.003	391.30.003	800	2500	1900	58
391.31.004	391.32.004	391.30.004	900	2300	1700	59
391.31.005	391.32.005	391.30.005	900	2500	1700	65
391.31.006	391.32.006	391.30.006	1000	2300	1500	66
391.31.007	391.32.007	391.30.007	1000	2500	1500	72

Special applications

57



1) Rocker for vehicle demonstrations

2) Display units



3) Stairs and landing with handrail



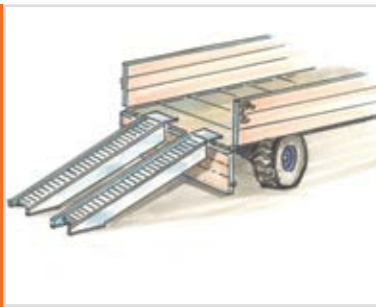
4) VFR wheel wells



6) Mobile loading station

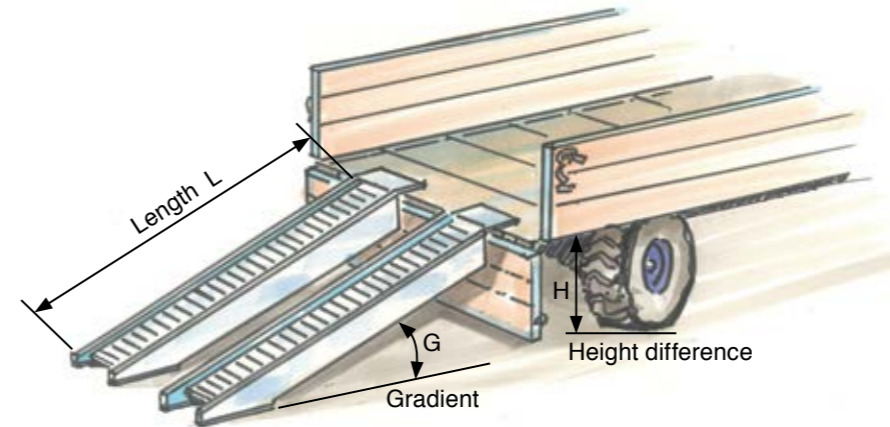
5) Foldable AVS ramp for three wheel equipment





Calculations for determining the length of loading ramps

$$\text{Length} = \frac{\text{Height difference}}{\text{Gradient (max 30\%)}} \times 100$$



Calculating a ramp length

Example:
With a height difference of 1200 mm and a gradient of 30%

How long should the loading ramps be?

Calculation:
 $\frac{1200}{30} \times 100 = \text{Length } 4000 \text{ mm}$

A gradient of more than 30% (16,5°) must not be exceeded regardless of the capabilities of the machine being loaded.

Height difference, length of loading ramps

On the diagram this graph shows all relevant dimensions such as length of ramps, pitch angle and height difference and how these relate to each other.

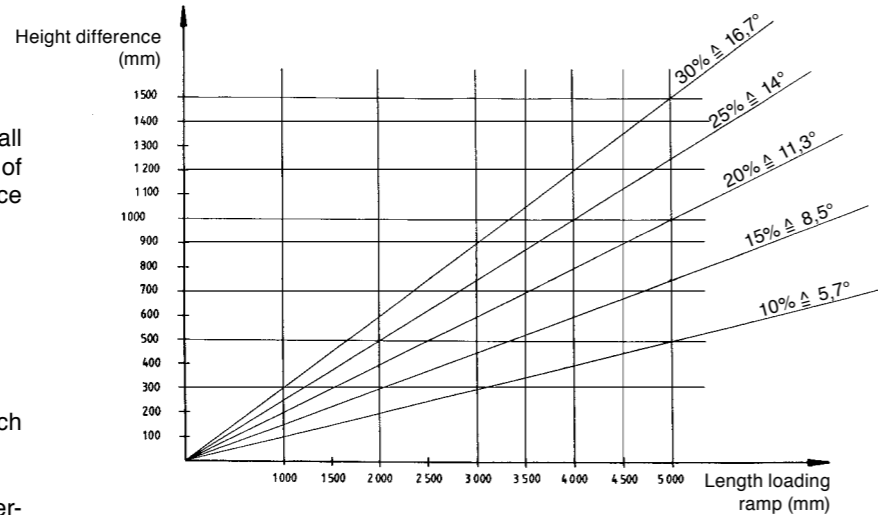


Diagram AVS and AVS/VFR

This graph will help you determine which ramps you need.

Your bed / load height (HD) should determine the length of ramp you require.

Diagram AVS = 0.8 – 5 t capacity
Diagram AVS/VFR = 2.8 – 14 t capacity

Diagram AVS

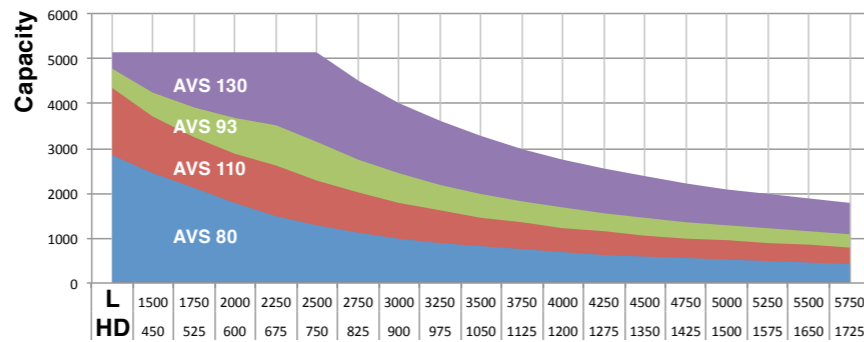
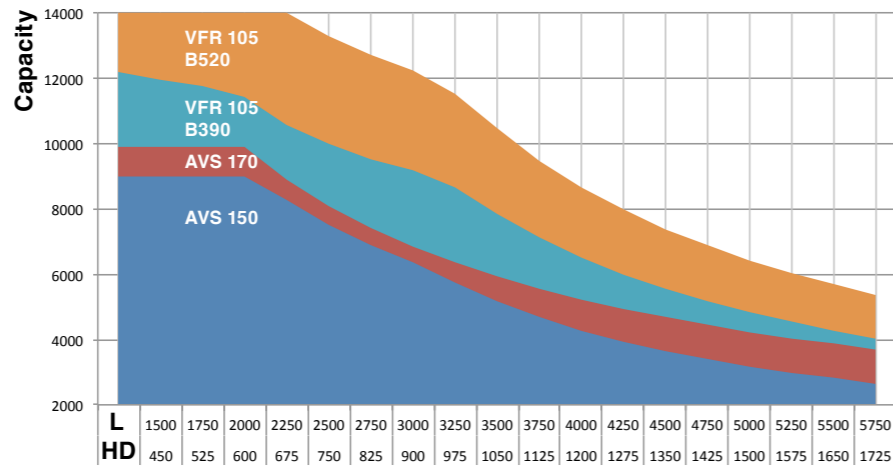


Diagram AVS/VFR



L = Length loading ramp (mm)
HD = Height difference at a gradient of 30% (mm)

Securing

There are different ways to secure a loading ramp. The Standard lip can be used with a safety pin or a safety latch.

Quality Assurance

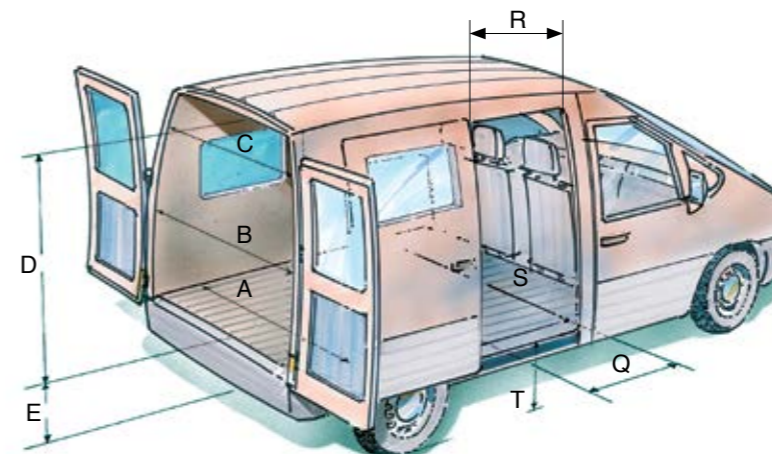
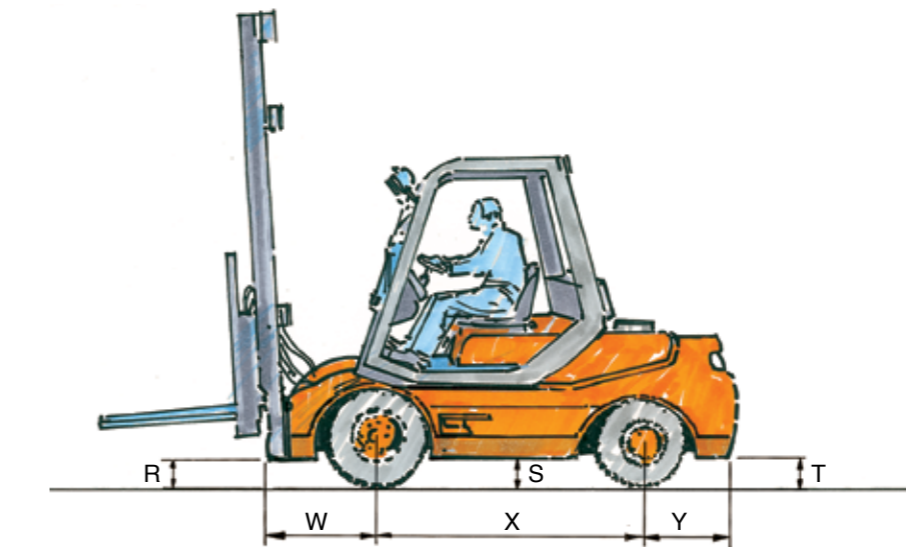
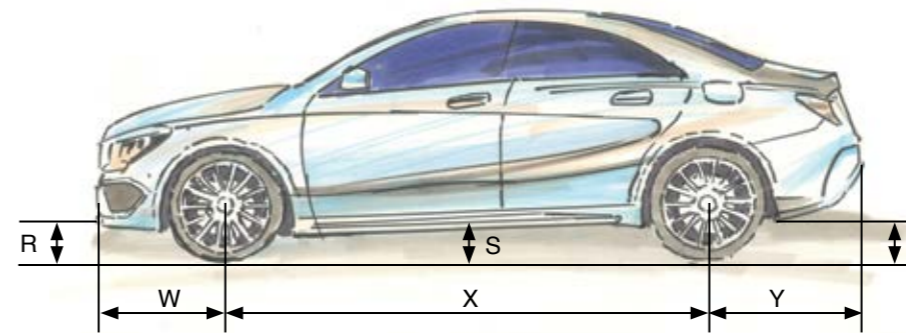
Our products pass through a special internal quality management. Subsequently a continuously high quality is guaranteed. Every product complies with the legal regulations and professional associations.

Guidelines and Standards

All our products are GS approved and have a safety factor of 2.1. Everything is produced to EN 1398 and BGR 233.

Aluminium

Aluminium is one of the lightest and most stable of metals. It resists extreme temperature fluctuations, is recyclable and corrosion resistant.

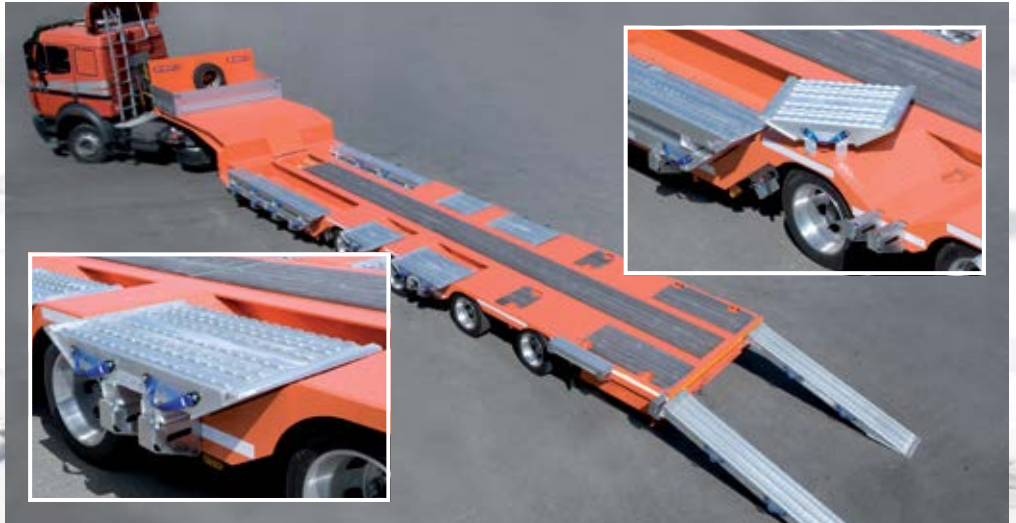


Vehicles / special features

Different vehicles mean different requirements. Every vehicle has different dimensions, tyres (rubber tracks, steel tracks, solid rubber, rollers, etc.), ground clearance and axle load distribution. We require full information of the items being loaded in order to specify the correct ramps.

No rule without exception

The loading ramps must be secured against slip off. For fork lifts and other loading equipment the 30% rule may not apply. Please call us for advice.



ALTEC

ALTEC GmbH
Rudolf-Diesel-Str. 7, D-78224 Singen

Phone +49 77 31 / 87 11 - 0
Fax +49 77 31 / 87 11 - 11
E-Mail: info@altec.de
www.altec.de

